

TOWN OF PEACE RIVER, PEACE REGIONAL POOL HOT TUB REPLACEMENT RENOVATION



526e-001-23
ISSUED FOR TENDER

7201 - 98 STREET
PEACE RIVER, AB

AME Group
721 Johnson St
Victoria BC, V8W 1M8
T. 250-382-5999 amegroup.ca

FACTION^{INC}
P R O J E C T S

e2 Engineering Inc.
530 Herald Street, Victoria, BC V8W 1S6
201-5180 Dublin Way, Nanaimo BC V9T 0H2
778-433-9391

smp
engineering

TJZ
Structural Engineering Ltd.

AME Group
721 Johnson St
Victoria BC, V8W 1M8
T. 250-382-5999 amegroup.ca

COPYRIGHT RESERVED
This drawing and design is the property of the designer to be used only for the project named below. This page or any portion thereof shall only be reproduced with express written permission.
THE CONTRACTOR SHALL CHECK AND VERIFY ALL DIMENSIONS AND REPORT ALL ERRORS AND OMISSIONS TO THE CONSULTANT PRIOR TO COMMENCING THE WORK.
THESE DRAWINGS ARE NOT TO BE SCALED.

REV	DATE	DESCRIPTION
1.	2023-11-15	ISSUED FOR 50% COORDINATION
2.	2023-12-01	ISSUED FOR 90% COORDINATION
3.	2023-12-22	ISSUED FOR PERMIT
4.	2024-04-01	RE-ISSUED FOR PERMIT
5.	2024-05-31	ISSUED FOR TENDER

PERMIT TO PRACTICE
AME CONSULTING GROUP LTD
RM SIGNATURE: _____
RM APEGA ID #: 227412
DATE: 05/31/2024
PERMIT NUMBER: P009296
The Association of Professional Engineers and Geoscientists of Alberta (APEGA)

CONSULTANT:

SEAL:

PROJECT TITLE:
TOWN OF PEACE RIVER - HOT TUB REPLACEMENT

PROJECT ADDRESS:
9911 - 100 STREET
P.O. BOX 6600
PEACE RIVER, ALBERTA
T8S 1S4

DRAWN BY	J. M. BARNARD
CHECKED BY	C. TAYLOR
SCALE	NTS
DATE	MAY 31, 2024

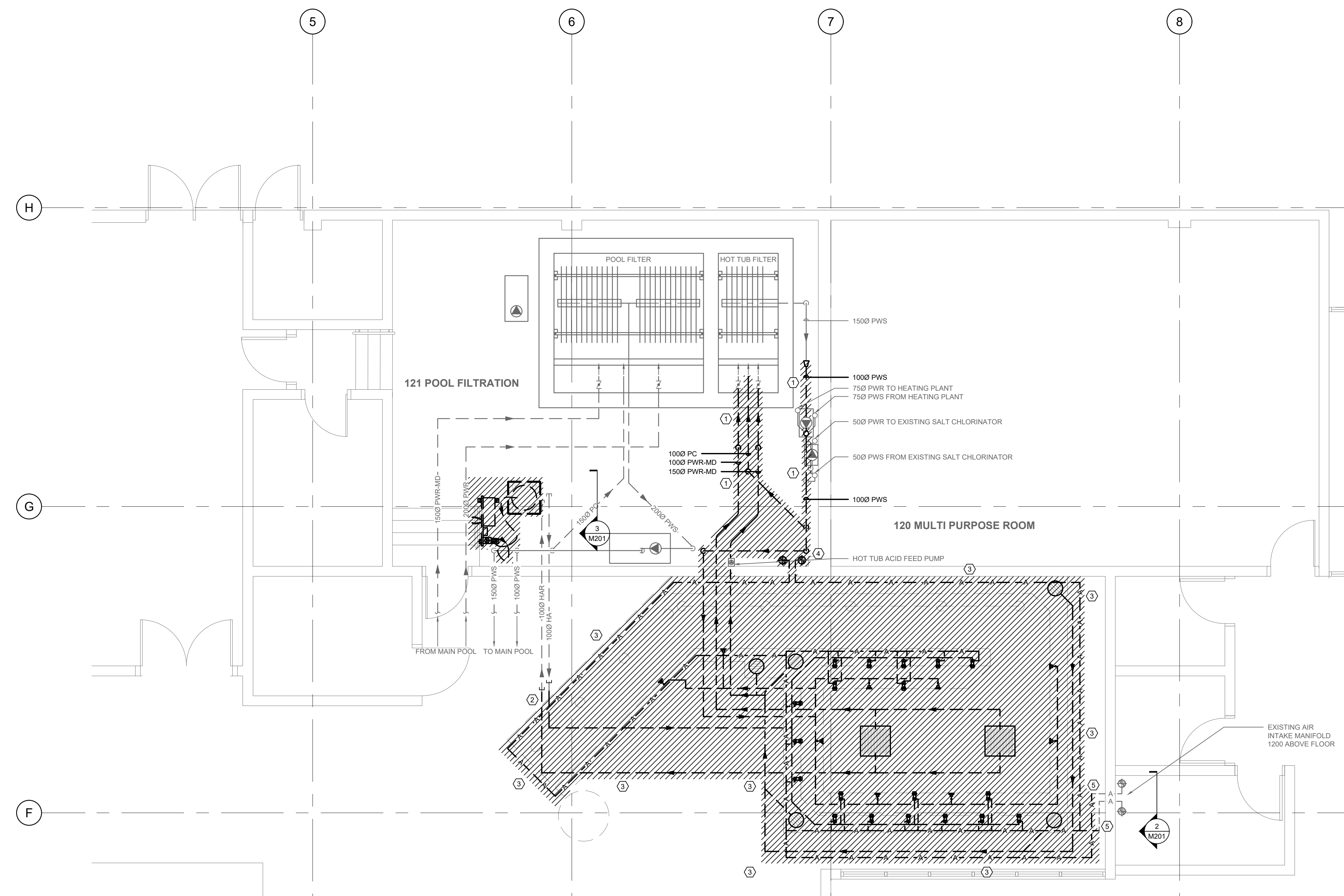
DRAWING TITLE:
COVER PAGE

PROJECT NO.	DRAWING NO.
526e-001-23	M000

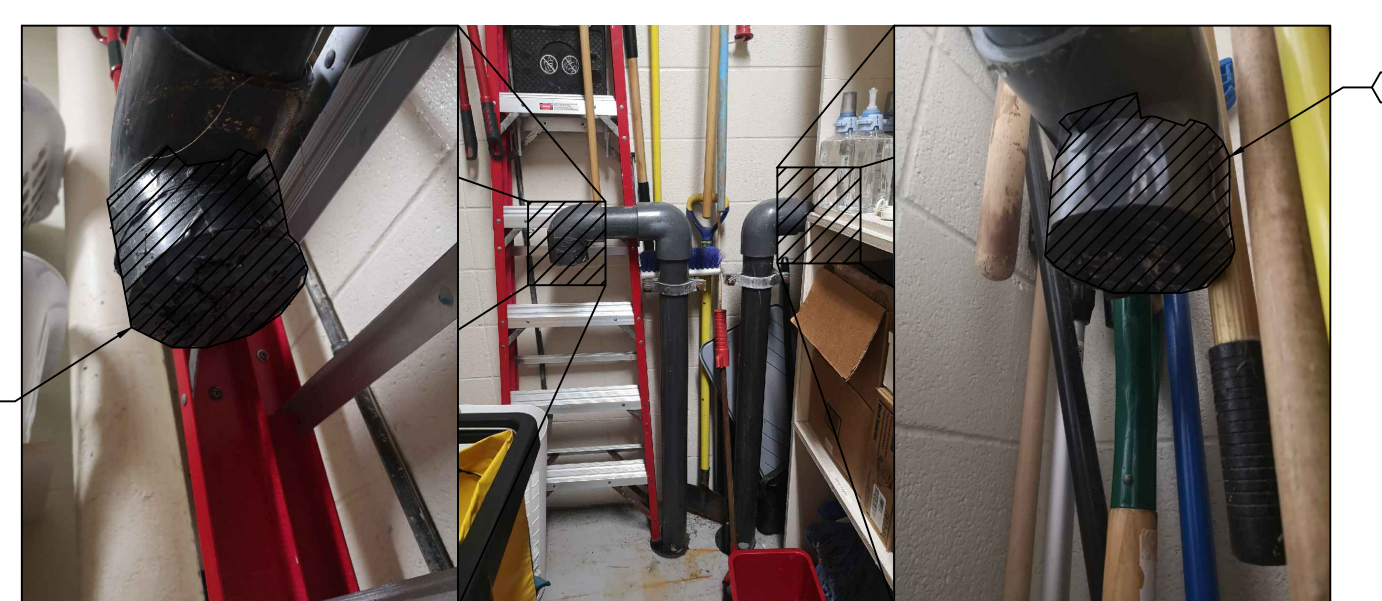
COPYRIGHT RESERVED
 This drawing and design is the property of the designer to be used only for the project named below. This page or any portion thereof shall only be reproduced with express written permission.
 THE CONTRACTOR SHALL CHECK AND VERIFY ALL DIMENSIONS AND REPORT ALL ERRORS AND OMISSIONS TO THE CONSULTANT PRIOR TO COMMENCING THE WORK.
 THESE DRAWINGS ARE NOT TO BE SCALED.

REV	DATE	DESCRIPTION
1.	2023-11-15	ISSUED FOR 50% COORDINATION
2.	2023-12-01	ISSUED FOR 90% COORDINATION
3.	2023-12-22	ISSUED FOR PERMIT
4.	2024-04-01	RE-ISSUED FOR PERMIT
5.	2024-05-31	ISSUED FOR TENDER

- KEY NOTES**
- DEMOLISH BURIED PIPING TO/FROM HOT TUB'S VACUUM DE FILTER TANK. RETAIN LONG-HANDED BUTTERFLY VALVES IN TANK FOR REUSE DURING RENOVATION. DEMOLISH ABOVE-GROUND 1000 HOT TUB PIPING.
 - DEMOLISH EXISTING 1000 HYDRO-AIR JET SUPPLY/RETURN LINES UP TO EDGE OF EXISTING HOT TUB'S FOOTPRINT. CAP AND ABANDON IN PLACE.
 - DEMOLISH ALL REMAINING POOL PIPING AND FIXTURES WITHIN FOOTPRINT OF ORIGINAL HOT TUB.
 - DEMOLISH EXISTING AIR INTAKE MANIFOLD LOCATED IN FILTRATION ROOM.
 - DEMOLISH AIR SUPPLY LINES FOR HYDRO-AIR JETS NEAR JANITOR CLOSET'S EXISTING AIR INTAKE MANIFOLD UP TO EDGE OF EXISTING HOT TUB'S FOOTPRINT.
 - REMOVE TAPE COVERING EXISTING AIR INTAKE MANIFOLD IN JANITOR'S CLOSET.
 - REMOVE AQUATOUCH+ CHEMICAL CONTROLLER FROM TEMPORARY PLYWOOD WALL AND PREPARE FOR RELOCATION TO ORIGINAL LOCATION (REFER TO 1/M202).
 - REMOVE MAIN POOL ACID FEED TANK AND ASSOCIATED SPLASH PAD FROM NEXT TO TEMPORARY PLYWOOD WALL, AND PREPARE FOR RELOCATION TO ORIGINAL LOCATION (REFER TO 1/M202).
 - REMOVE YELLOW MAIN POOL ACID FEED PUMP AND ASSOCIATED TUBING FROM TEMPORARY PLYWOOD WALL, AND PREPARE FOR RELOCATION TO ORIGINAL LOCATION (REFER TO 1/M202).
 - DISCONNECT AND REMOVE AQUATOUCH+ TO CHLORINATION CONTROLLER INTERFACE SWITCHES. RETAIN FOR RELOCATION.
 - DEMOLISH TEMPORARY PLYWOOD ACID FEED CONTROLLER MOUNTING WALL.



1 POOL PIPING DEMOLITION PLAN
 SCALE: 1:50




2 JANITOR CLOSET AIR MANIFOLD PREPARATION
 SCALE: NTS



3 MAIN POOL ACID FEED RELOCATION
 SCALE: NTS

PERMIT TO PRACTICE
AME CONSULTING GROUP LTD
 RM SIGNATURE: _____
 RM APEGAID #: 227412
 DATE: 05/31/2024
PERMIT NUMBER: P009296
The Association of Professional Engineers and Geoscientists of Alberta (APEGA)

CONSULTANT:

 SEAL:


PROJECT TITLE:
TOWN OF PEACE RIVER - HOT TUB REPLACEMENT

PROJECT ADDRESS:
 9911 - 100 STREET
 P.O. BOX 6600
 PEACE RIVER, ALBERTA
 T8S 1S4

DRAWN BY: J. M. BARNARD
 CHECKED BY: C. TAYLOR
 SCALE: 1:50
 DATE: MAY 31, 2024

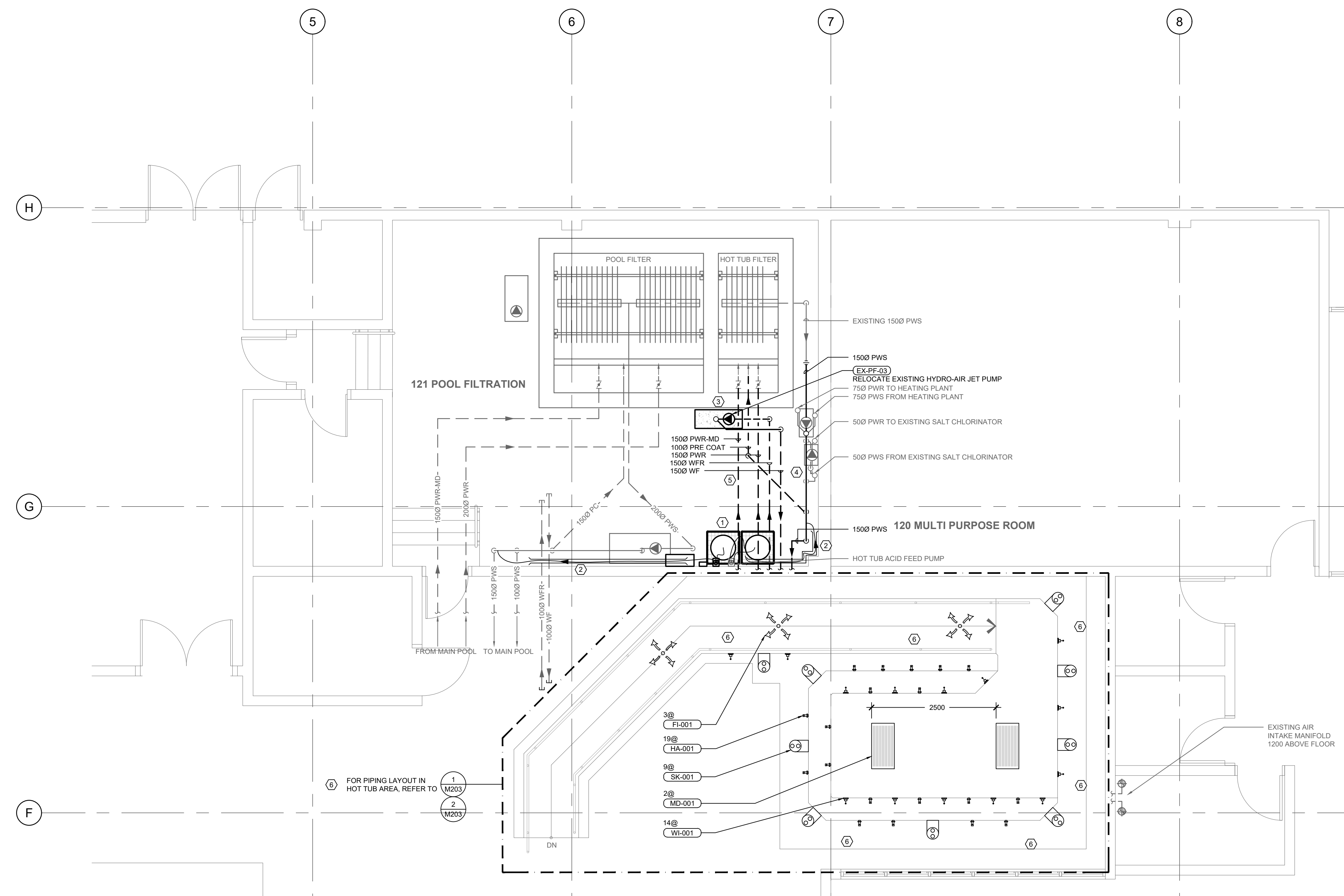
DRAWING TITLE:
POOL PIPING DEMOLITION PLAN

PROJECT NO. 526e-001-23 DRAWING NO. **M201**

COPYRIGHT RESERVED
 This drawing and design is the property of the designer to be used only for the project named below. This page or any portion thereof shall only be reproduced with express written permission.
 THE CONTRACTOR SHALL CHECK AND VERIFY ALL DIMENSIONS AND REPORT ALL ERRORS AND OMISSIONS TO THE CONSULTANT PRIOR TO COMMENCING THE WORK.
 THESE DRAWINGS ARE NOT TO BE SCALED.


REV	DATE	DESCRIPTION
1.	2023-11-15	ISSUED FOR 50% COORDINATION
2.	2023-12-01	ISSUED FOR 90% COORDINATION
3.	2023-12-22	ISSUED FOR PERMIT
4.	2024-04-01	RE-ISSUED FOR PERMIT
5.	2024-05-31	ISSUED FOR TENDER

- KEY NOTES**
- RETURN ACID FEED TANKS, ACID FEED CONTROLLER, AND ASSOCIATED PUMPS AND CONTROLS TO LOCATION INDICATED AT END OF CONSTRUCTION.
 - RECONNECT ACID FEED FLEXIBLE TUBING TO HOT TUB AND MAIN POOL ABOVE-GROUND PIPING. RUN FLEXIBLE TUBING WITHIN 1/4"Ø PVC PIPE ALONG WALL FOR SPILL CONTROL.
 - RELOCATE EXISTING HYDRO-AIR JET PUMP, COMPLETE WITH NEW EQUIPMENT PAD.
 - INSTALL NEW ABOVE-GROUND HOT TUB PIPING, ASSOCIATED VALVES AND FITTINGS.
 - INSTALL NEW BURIED HOT TUB PIPING TO/FROM HOT TUB. COORDINATE EXCAVATION WITH STRUCTURAL.
 - INSTALL NEW HOT TUB FIXTURES. INSTALL NEW PIPING IN HOT TUB AREA. REFER TO 1/M203 FOR PIPING LAYOUT.



1 POOL PIPING RENOVATION PLAN
 SCALE: 1:50

PERMIT TO PRACTICE
AME CONSULTING GROUP LTD
 RM SIGNATURE: _____
 RM APEGA ID #: 227412
 DATE: 05/31/2024
PERMIT NUMBER: P009296
The Association of Professional Engineers and Geoscientists of Alberta (APEGA)

CONSULTANT:
 SEAL:


PROJECT TITLE:
TOWN OF PEACE RIVER - HOT TUB REPLACEMENT

PROJECT ADDRESS:
 9911 - 100 STREET
 P.O. BOX 6600
 PEACE RIVER, ALBERTA
 T8S 1S4

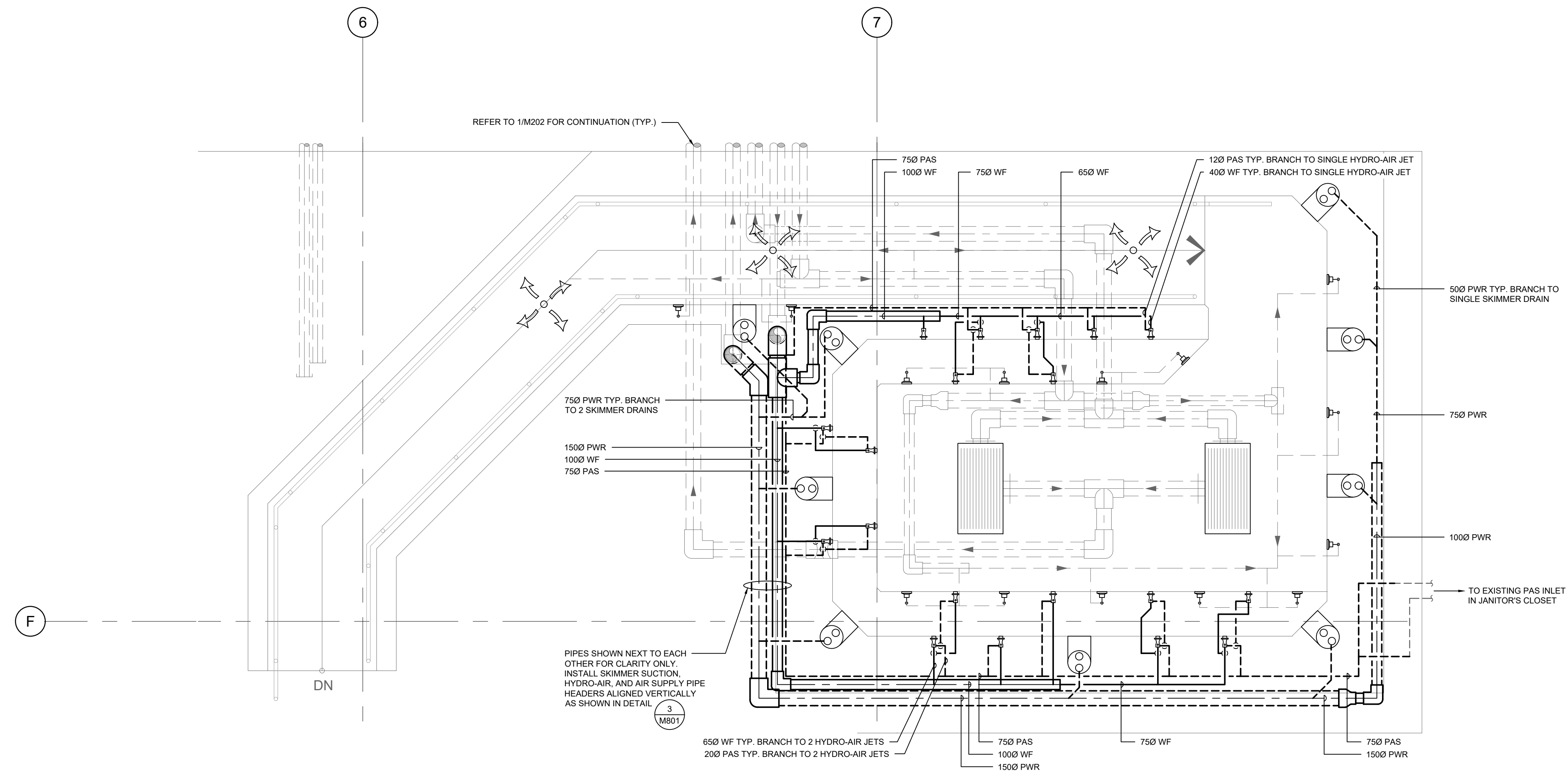
DRAWN BY: J. M. BARNARD
 CHECKED BY: C. TAYLOR
 SCALE: 1:50
 DATE: MAY 31, 2024

DRAWING TITLE:
POOL PIPING RENOVATION PLAN

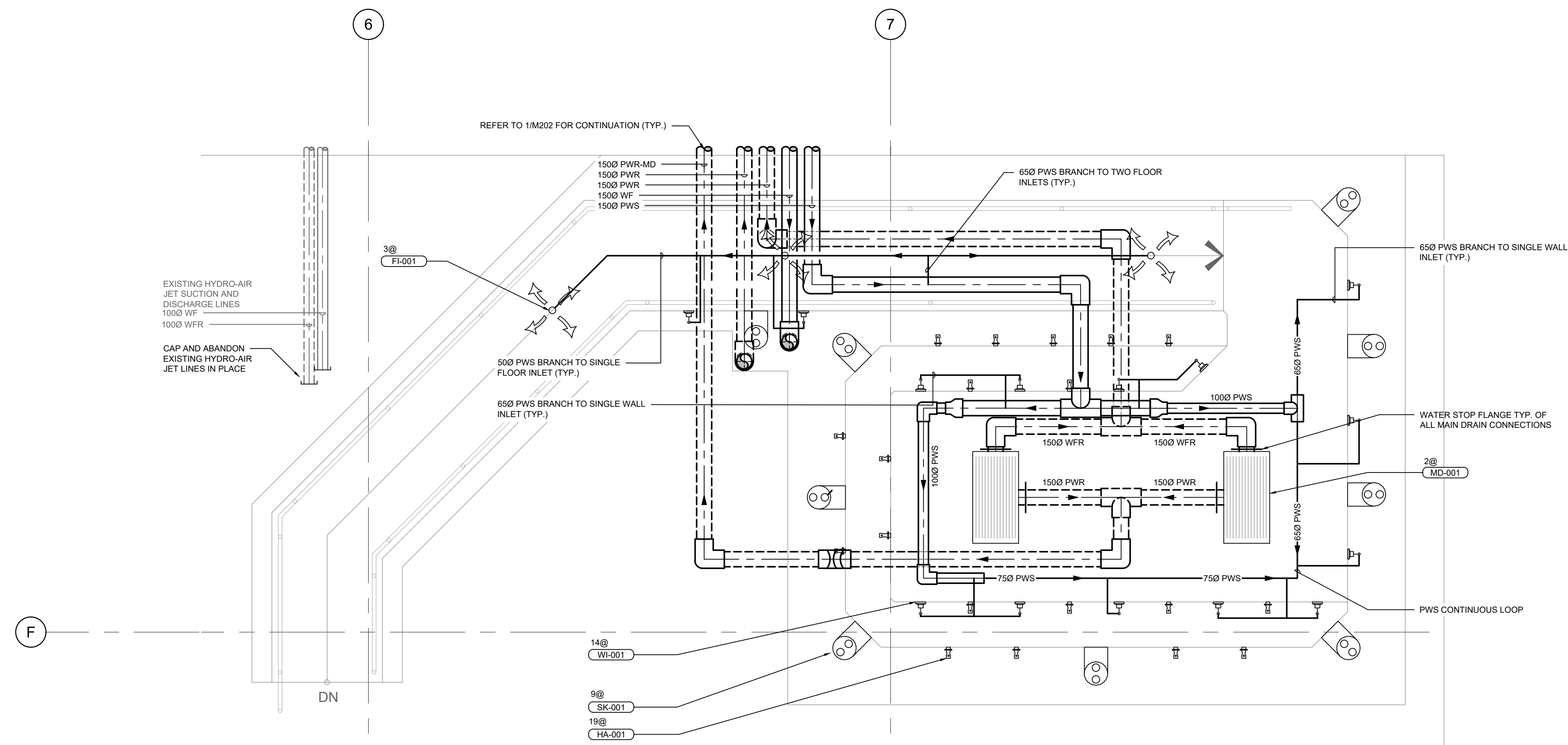
PROJECT NO. 526e-001-23
 DRAWING NO. **M202**

COPYRIGHT RESERVED
 This drawing and design is the property of the designer to be used only for the project named below. This page or any portion thereof shall only be reproduced with express written permission.
 THE CONTRACTOR SHALL CHECK AND VERIFY ALL DIMENSIONS AND REPORT ALL ERRORS AND OMISSIONS TO THE CONSULTANT PRIOR TO COMMENCING THE WORK.
 THESE DRAWINGS ARE NOT TO BE SCALED.

REV	DATE	DESCRIPTION
1.	2023-11-15	ISSUED FOR 50% COORDINATION
2.	2023-12-01	ISSUED FOR 10% COORDINATION
3.	2023-12-22	ISSUED FOR PERMIT
4.	2024-04-01	RE-ISSUED FOR PERMIT
5.	2024-05-31	ISSUED FOR TENDER



1 HOT TUB UPPER PIPING LAYOUT
 SCALE: 1:30



2 HOT TUB LOWER PIPING LAYOUT
 SCALE: 1:30

PERMIT TO PRACTICE
AME CONSULTING GROUP LTD
 RM SIGNATURE: _____
 RM APEGA ID #: 227412
 DATE: 05/31/2024
PERMIT NUMBER: P009296
The Association of Professional Engineers and Geoscientists of Alberta (APEGA)

CONSULTANT:

SEAL:



PROJECT TITLE:
TOWN OF PEACE RIVER - HOT TUB REPLACEMENT

PROJECT ADDRESS:
 9911 - 100 STREET
 P.O. BOX 6600
 PEACE RIVER, ALBERTA
 T8S 1S4

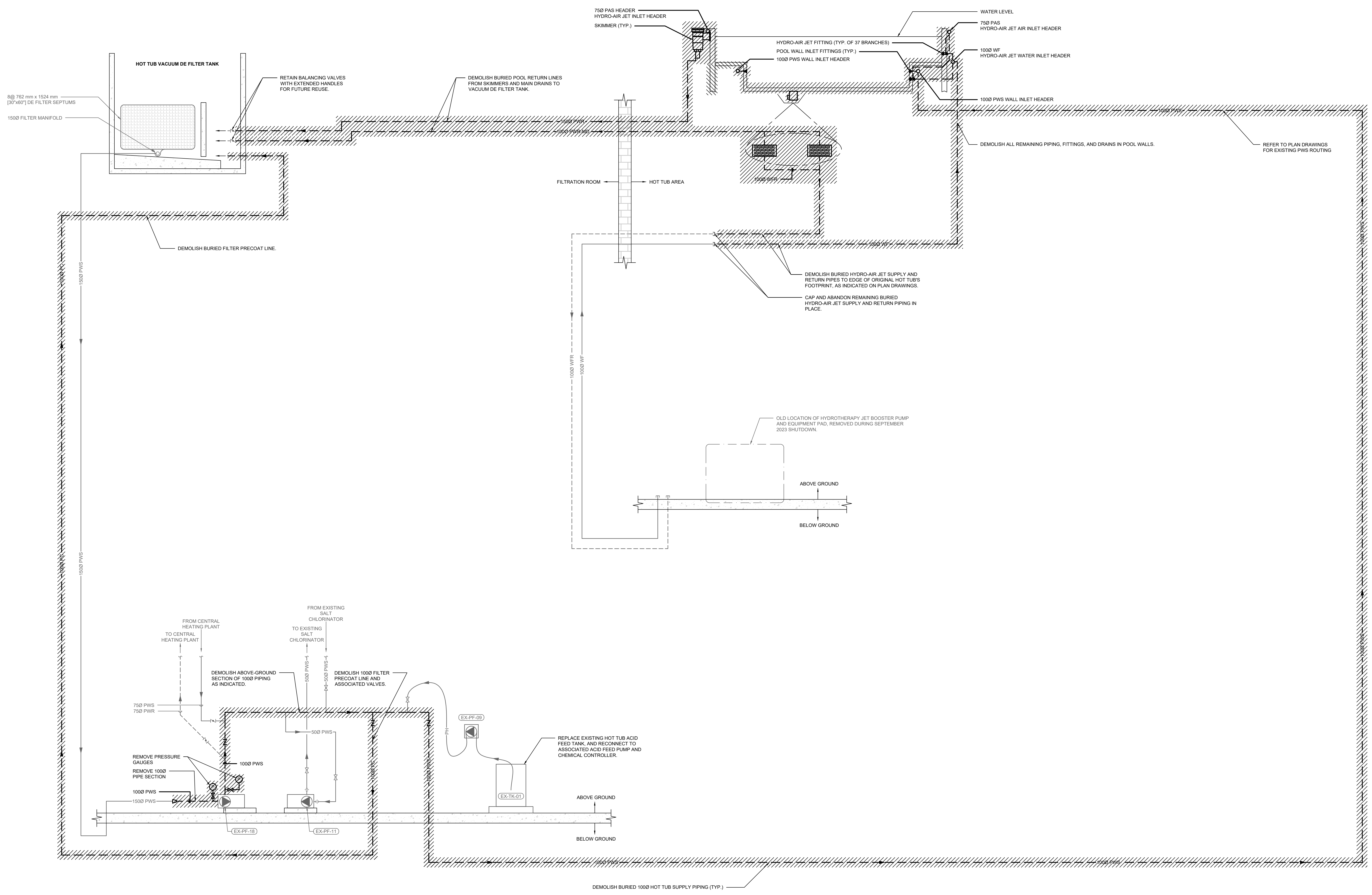
DRAWN BY	J. M. BARNARD
CHECKED BY	C. TAYLOR
SCALE	1:30
DATE	MAY 31, 2024

DRAWING TITLE:
HOT TUB PIPING LAYOUT

PROJECT NO.	DRAWING NO.
526e-001-23	M203


COPYRIGHT RESERVED
 This drawing and design is the property of the designer to be used only for the project named below. This page or any portion thereof shall only be reproduced with express written permission.
 THE CONTRACTOR SHALL CHECK AND VERIFY ALL DIMENSIONS AND REPORT ALL ERRORS AND OMISSIONS TO THE CONSULTANT PRIOR TO COMMENCING THE WORK.
 THESE DRAWINGS ARE NOT TO BE SCALED.

REV.	DATE	DESCRIPTION
1.	2023-11-15	ISSUED FOR 50% COORDINATION
2.	2023-12-01	ISSUED FOR 90% COORDINATION
3.	2023-12-22	ISSUED FOR PERMIT
4.	2024-04-01	RE-ISSUED FOR PERMIT
5.	2024-05-31	ISSUED FOR TENDER



HOT TUB DEMOLITION SCHEMATIC
 M701 SCALE: NTS

PERMIT TO PRACTICE
AME CONSULTING GROUP LTD
 RM SIGNATURE: [Signature]
 RM APEGA ID #: 227412
 DATE: 05/31/2024
PERMIT NUMBER: P009296
The Association of Professional Engineers and Geoscientists of Alberta (APEGA)

CONSULTANT:
 SEAL:

 2024-05-31

PROJECT TITLE:
TOWN OF PEACE RIVER - HOT TUB REPLACEMENT

PROJECT ADDRESS:
 9911 - 100 STREET
 P.O. BOX 6600
 PEACE RIVER, ALBERTA
 T8S 1S4

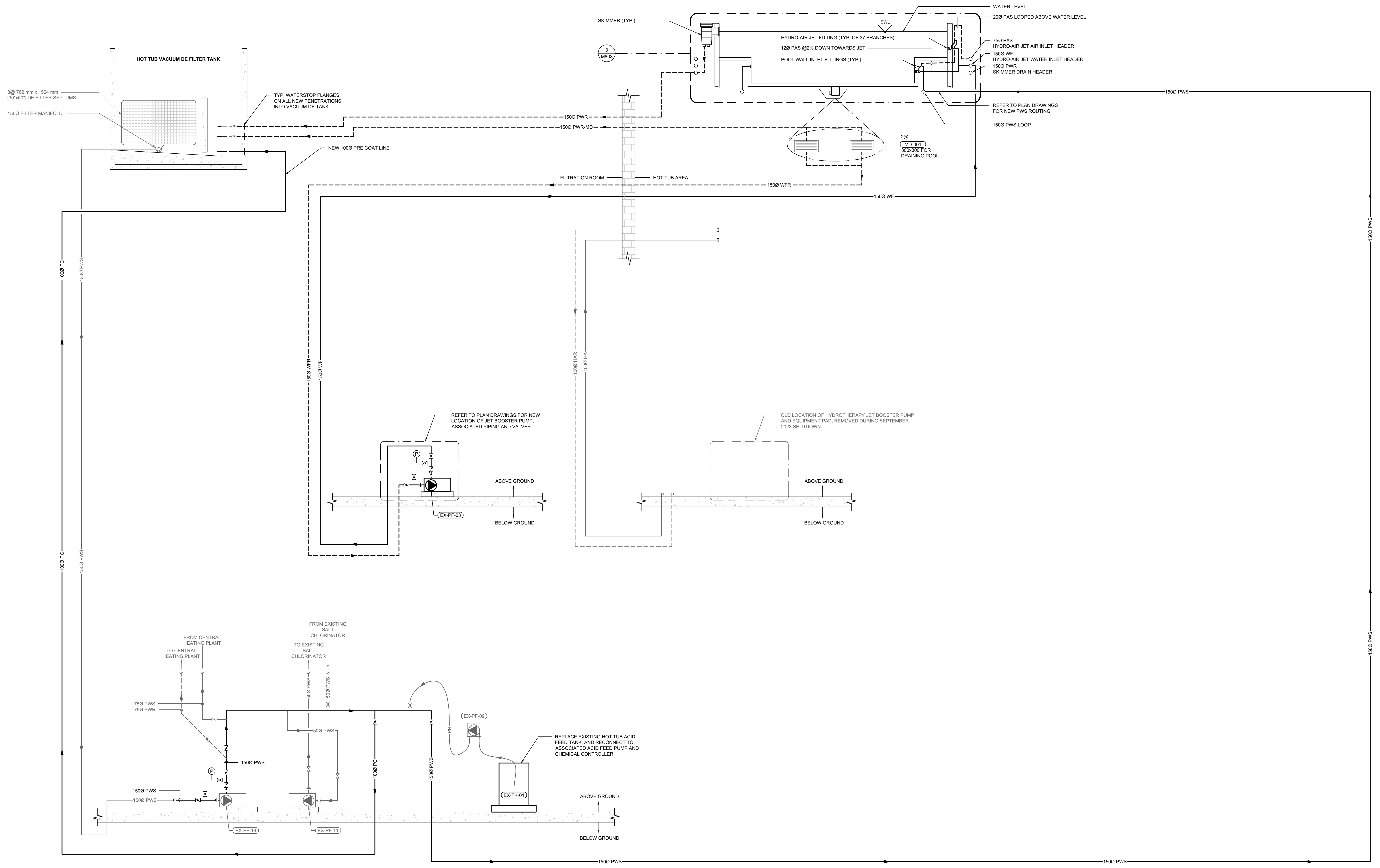
DRAWN BY: J. M. BARNARD
 CHECKED BY: C. TAYLOR
 SCALE: NTS
 DATE: MAY 31, 2024

DRAWING TITLE:
HOT TUB DEMOLITION SCHEMATIC

PROJECT NO. 526e-001-23
 DRAWING NO. **M701**

COPYRIGHT RESERVED
 This drawing and design is the property of the designer to be used only for the project named below. This page or any portion thereof shall only be reproduced with express written permission.
 THE CONTRACTOR SHALL CHECK AND VERIFY ALL DIMENSIONS AND REPORT ALL ERRORS AND OMISSIONS TO THE CONSULTANT PRIOR TO COMMENCING THE WORK.
 THESE DRAWINGS ARE NOT TO BE SCALED.

REV	DATE	DESCRIPTION
1.	2023-11-15	ISSUED FOR 50% COORDINATION
2.	2023-12-01	ISSUED FOR 10% COORDINATION
3.	2023-12-22	ISSUED FOR PERMIT
4.	2024-04-01	RE-ISSUED FOR PERMIT
5.	2024-05-31	ISSUED FOR TENDER



HOT TUB RENOVATION SCHEMATIC
 SCALE: NTS

PERMIT TO PRACTICE
AME CONSULTING GROUP LTD
 RM SIGNATURE: _____
 RM APEGA ID #: 227412
 DATE: 05/31/2024
PERMIT NUMBER: P009296
The Association of Professional Engineers and Geoscientists of Alberta (APEGA)

CONSULTANT:



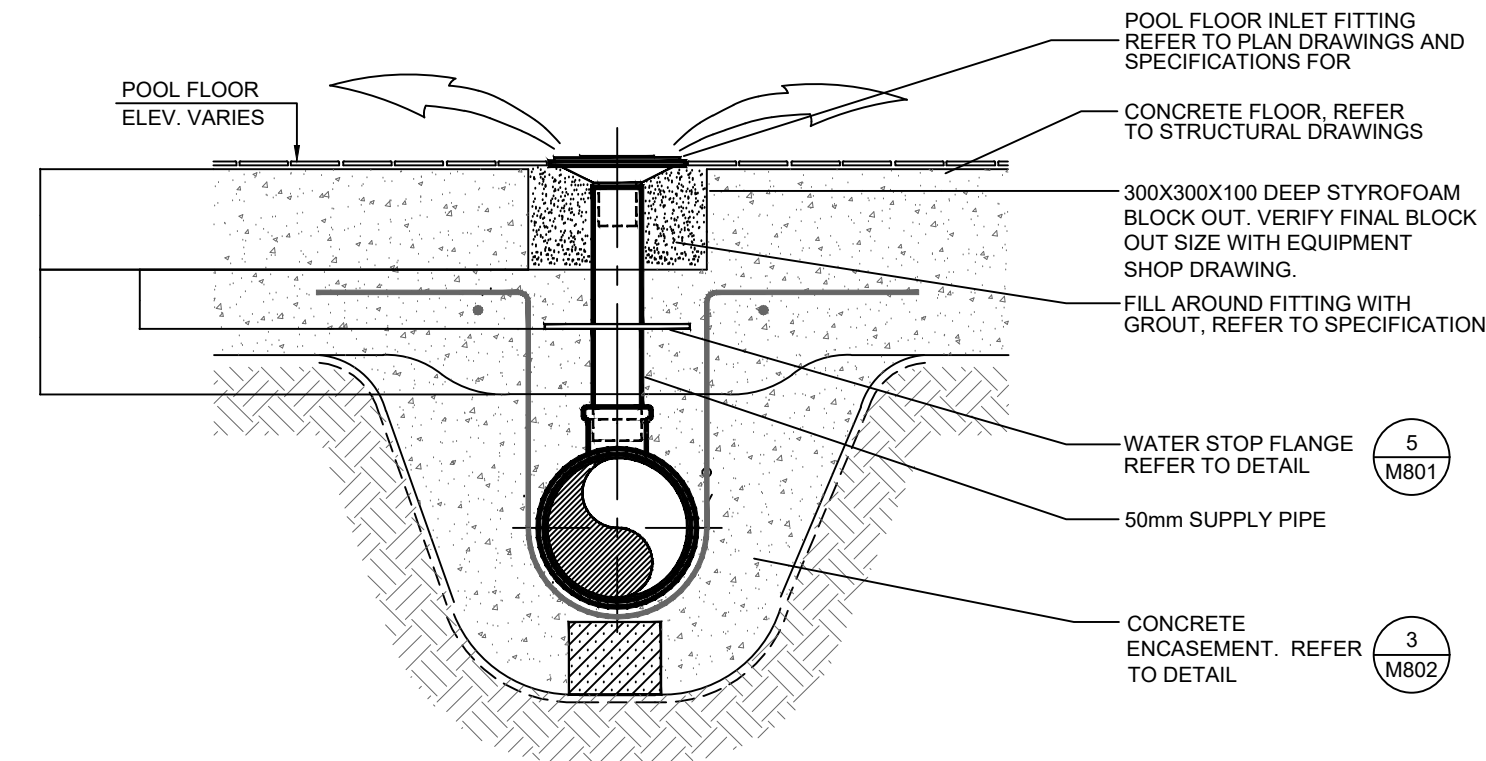
PROJECT TITLE:
TOWN OF PEACE RIVER - HOT TUB REPLACEMENT

PROJECT ADDRESS:
 9911 - 100 STREET
 P.O. BOX 6600
 PEACE RIVER, ALBERTA
 T8S 1S4

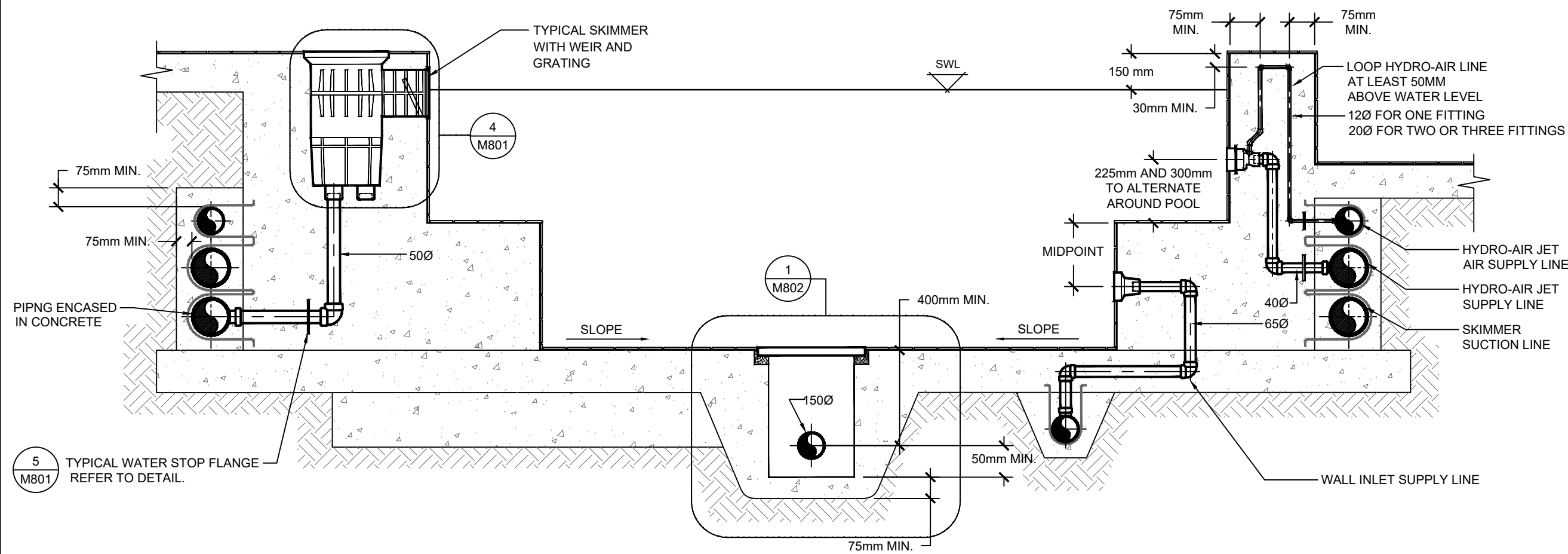
DRAWN BY: J. M. BARNARD
CHECKED BY: C. TAYLOR
SCALE: NTS
DATE: MAY 31, 2024

DRAWING TITLE:
HOT TUB RENOVATION SCHEMATIC

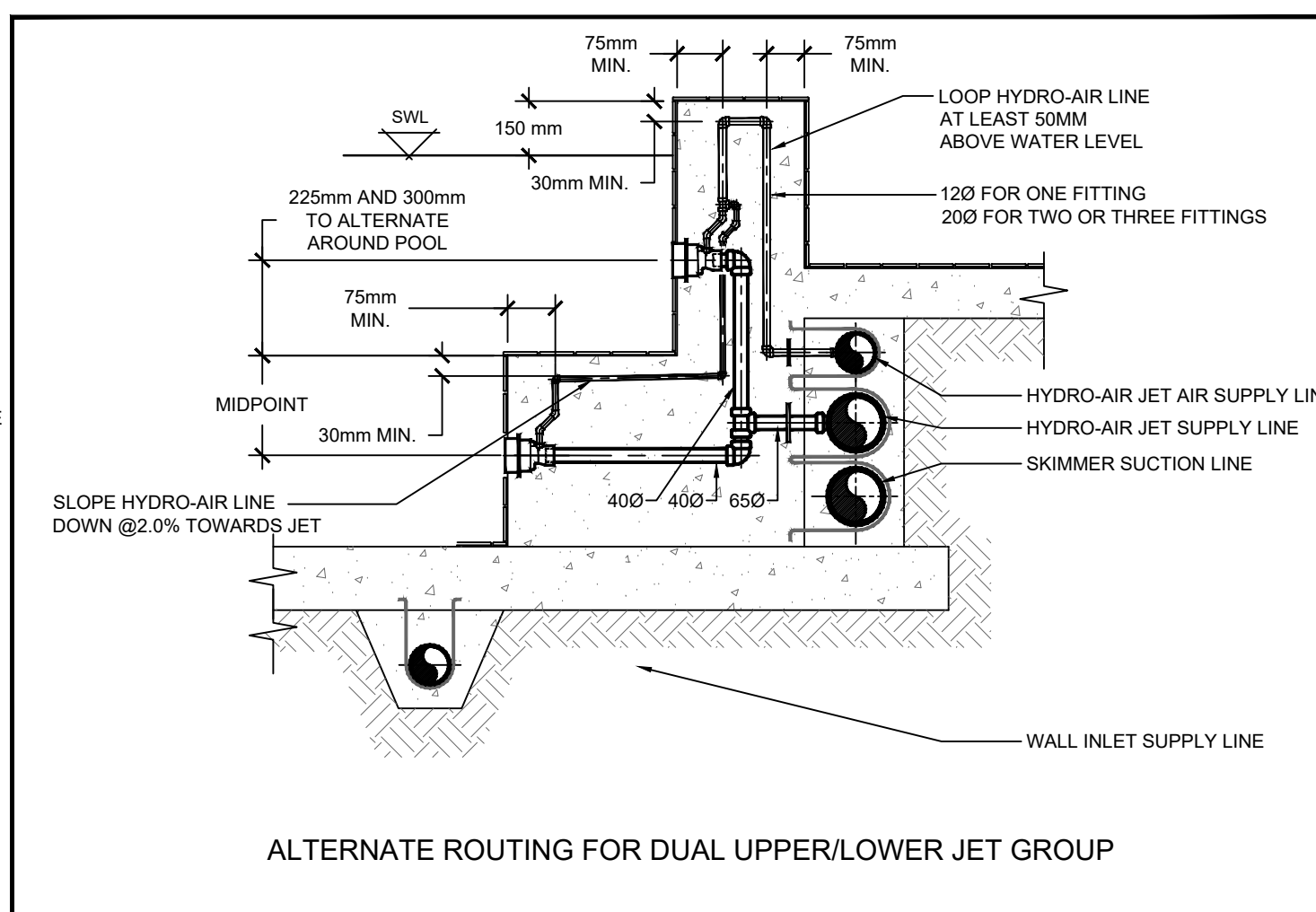
PROJECT NO.: 526e-001-23
DRAWING NO.: M702



8 TYPICAL FLOOR INLET FITTING
SCALE: NTS



3 HOT POOL MECHANICAL SECTION
SCALE: NTS



HYDRO-AIR JET SUPPLY SIZES		
HA JET FITTING COUNT	TAKE-OFF SIZES FROM HEADER	
	WATER SUPPLY	AIR SUPPLY
1	400	120
2	650	200
3	650	200

AME Group
721 Johnson St
Victoria BC, V8W 1M8
T. 250-382-5999 amegroup.ca

COPYRIGHT RESERVED
This drawing and design is the property of the designer to be used only for the project named below. This page or any portion thereof shall only be reproduced with express written permission.
THE CONTRACTOR SHALL CHECK AND VERIFY ALL DIMENSIONS AND REPORT ALL ERRORS AND OMISSIONS TO THE CONSULTANT PRIOR TO COMMENCING THE WORK.
THESE DRAWINGS ARE NOT TO BE SCALED.

REV	DATE	DESCRIPTION
1.	2023-11-15	ISSUED FOR 50% COORDINATION
2.	2023-12-01	ISSUED FOR 90% COORDINATION
3.	2023-12-22	ISSUED FOR PERMIT
4.	2024-04-01	RE-ISSUED FOR PERMIT
5.	2024-05-31	ISSUED FOR TENDER

SKIMMER WEIR CONVERSION

PART# 130

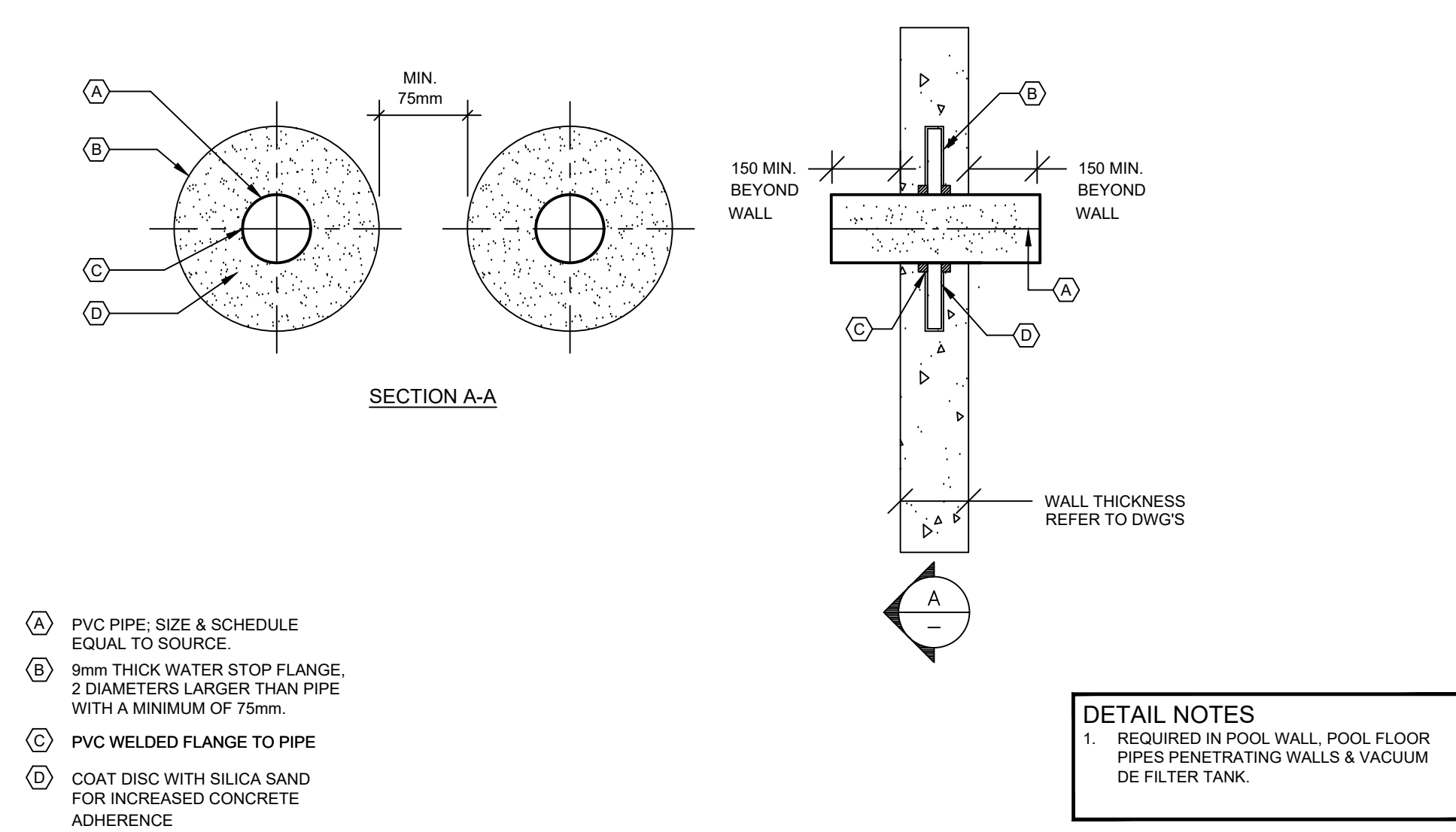
- Place the float through the adapter ring. (Fig 1)
- Place the adapter ring and float into the basket. Be sure the flanges snap into the basket walls. (Fig 2)
- Use the screws/washers to secure the adapter ring to the basket. Should be secured on opposite sides of basket. (Fig 3)

MADE IN USA

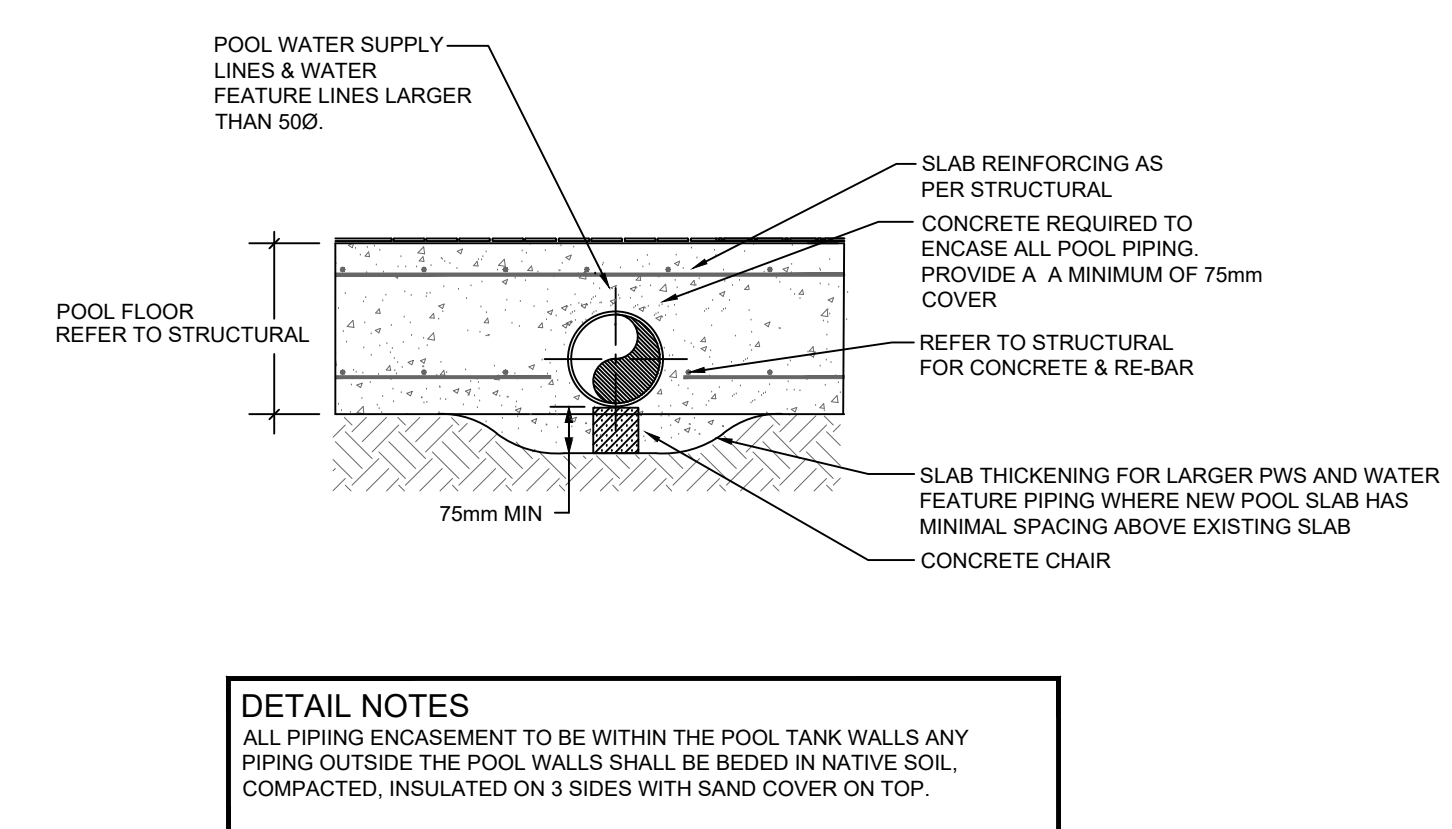
Questions or comments? Please call Herb at 805-644-2333.

POOL TOOL COMPANY
pooltool.com
Phone: 805-644-2333
Address: 4848 Colt st. #10
Ventura CA 93003

7 SKIMMER WEIR CONVERSION
SCALE: NTS



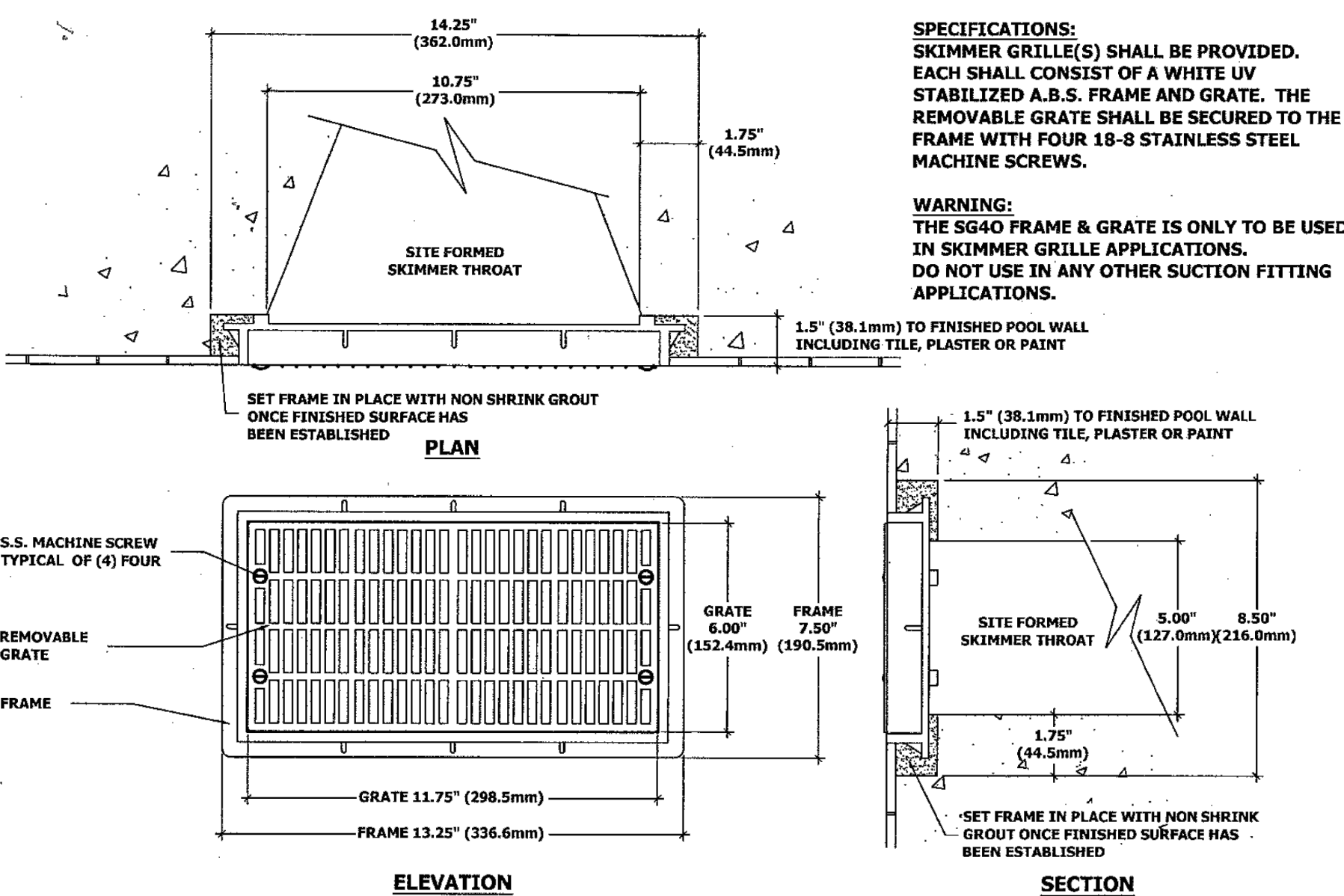
5 TYPICAL WATER STOP FLANGE DETAIL
SCALE: NTS



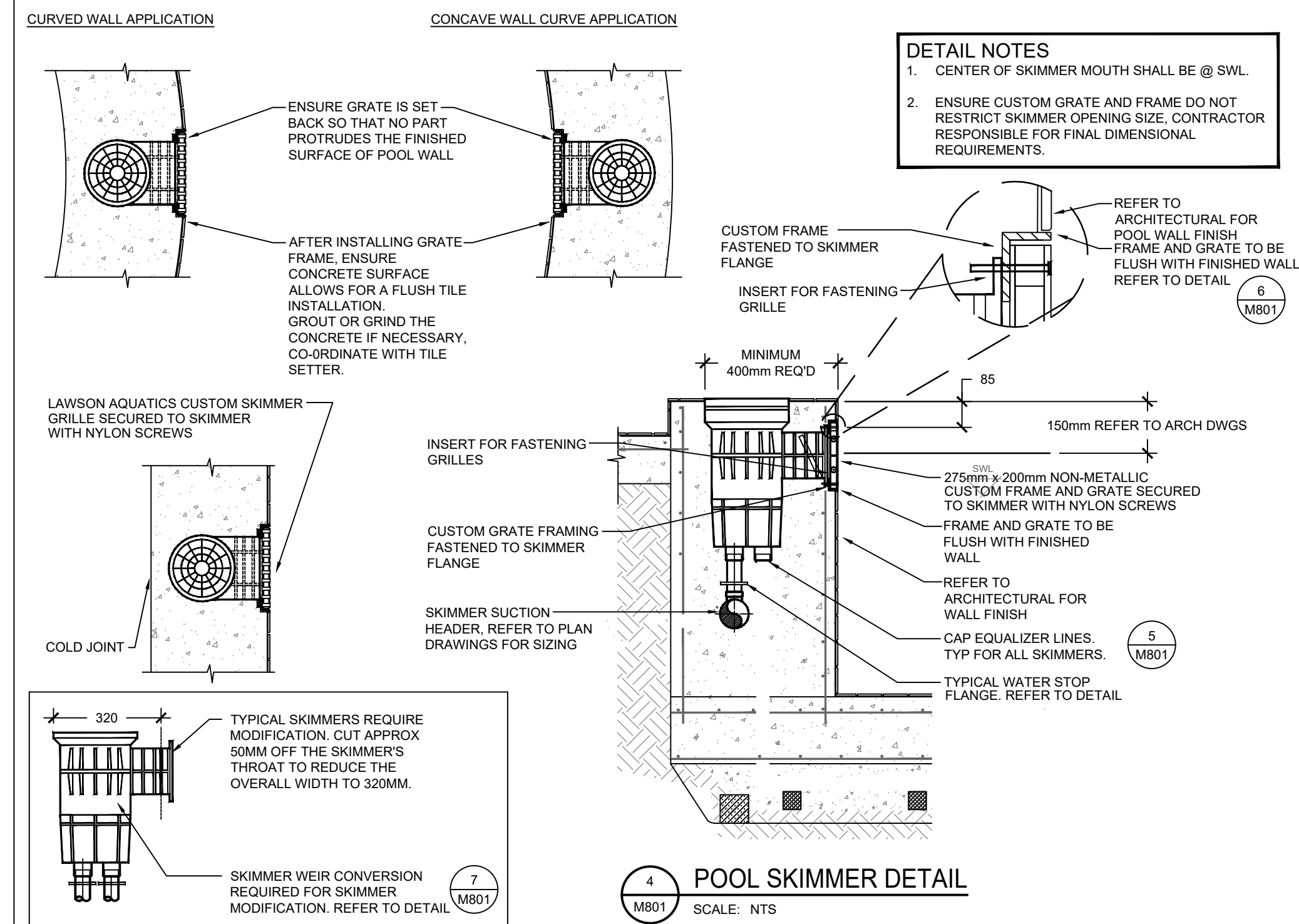
2 POOL SLAB THICKENING FOR POOL PIPING
SCALE: NTS

PERMIT TO PRACTICE
AME CONSULTING GROUP LTD
RM SIGNATURE: _____
RM APEGA ID #: 227412
DATE: 05/31/2024
PERMIT NUMBER: P009296
The Association of Professional Engineers and Geoscientists of Alberta (APEGA)

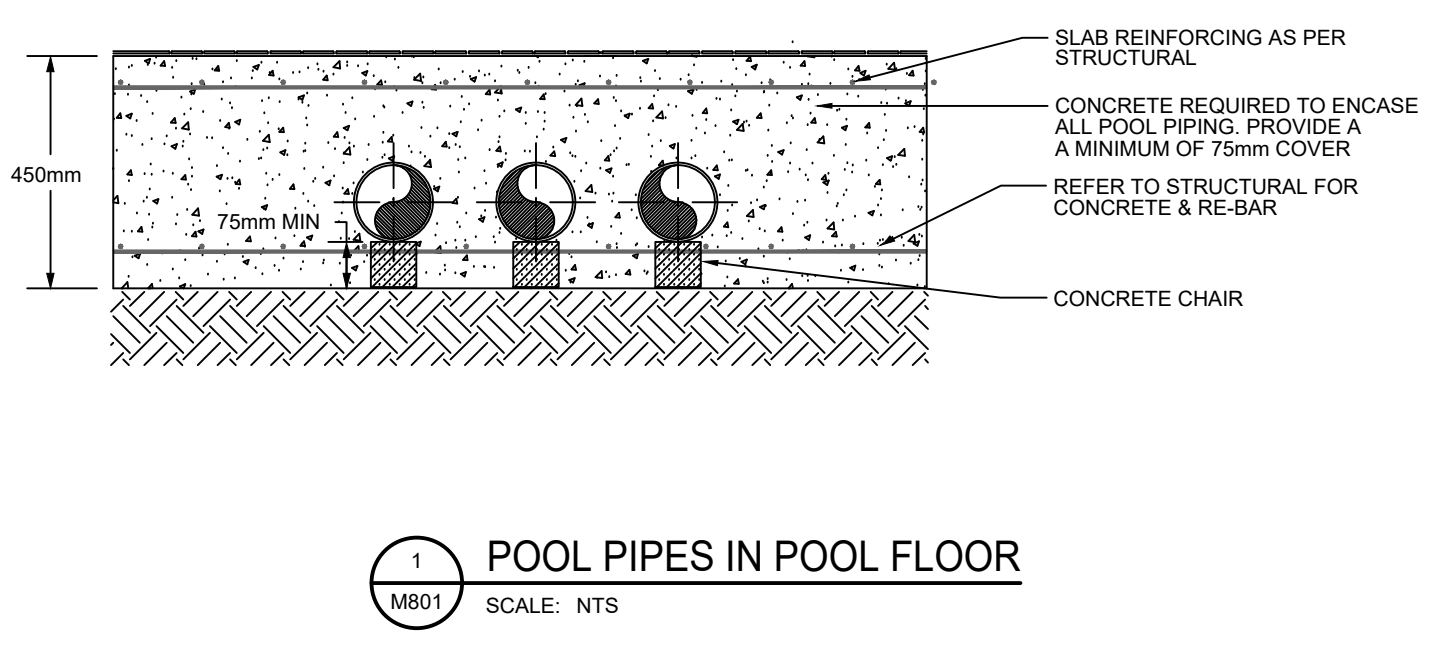
CONSULTANT:



6 CUSTOM SKIMMER GRATE AND FRAME
SCALE: NTS



4 POOL SKIMMER DETAIL
SCALE: NTS



SEAL:

PROJECT TITLE:
TOWN OF PEACE RIVER - HOT TUB REPLACEMENT

PROJECT ADDRESS:
9911 - 100 STREET
P.O. BOX 6600
PEACE RIVER, ALBERTA
T8S 1S4

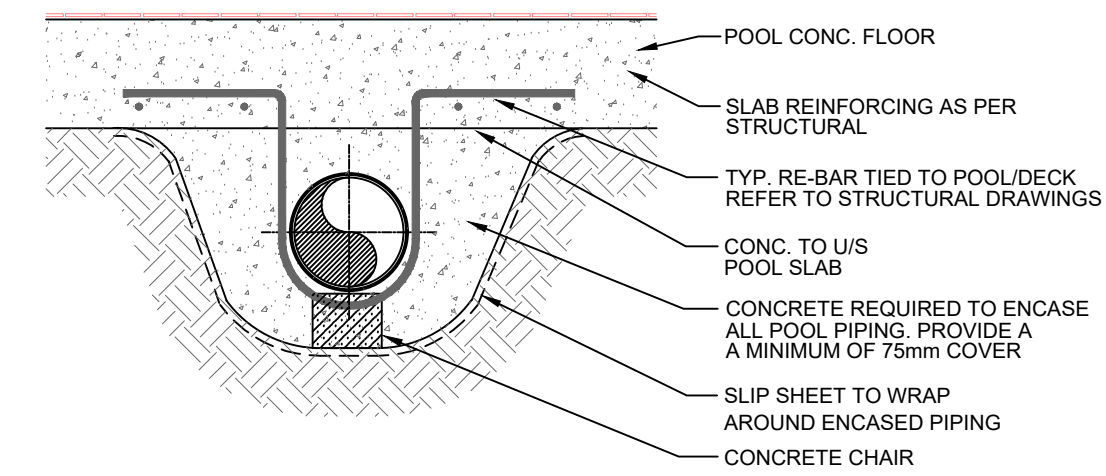
DRAWN BY: J. M. BARNARD
CHECKED BY: C. TAYLOR
SCALE: AS SHOWN
DATE: MAY 31, 2024

DRAWING TITLE:
MECHANICAL DETAILS I

PROJECT NO. 526e-001-23
DRAWING NO. **M801**

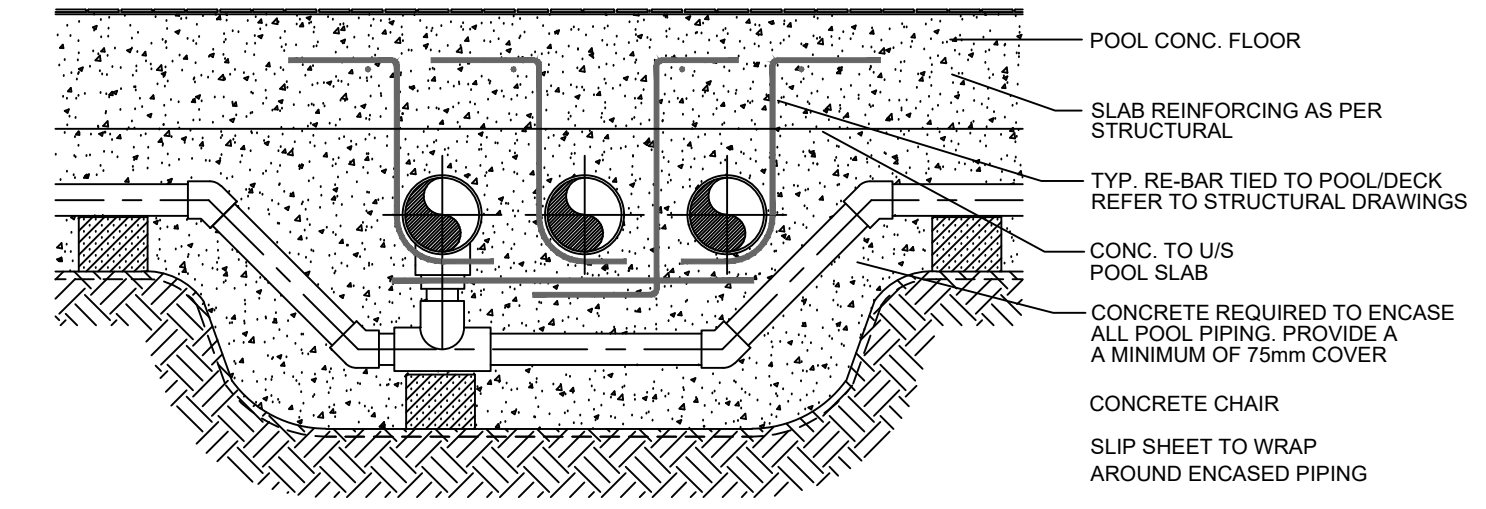
COPYRIGHT RESERVED
 This drawing and design is the property of the designer to be used only for the project named below. This page or any portion thereof shall only be reproduced with express written permission.
 THE CONTRACTOR SHALL CHECK AND VERIFY ALL DIMENSIONS AND REPORT ALL ERRORS AND OMISSIONS TO THE CONSULTANT PRIOR TO COMMENCING THE WORK.
 THESE DRAWINGS ARE NOT TO BE SCALED.

REV.	DATE	DESCRIPTION
1.	2023-11-15	ISSUED FOR 50% COORDINATION
2.	2023-12-01	ISSUED FOR 90% COORDINATION
3.	2023-12-22	ISSUED FOR PERMIT
4.	2024-04-01	RE-ISSUED FOR PERMIT
5.	2024-05-31	ISSUED FOR TENDER



DETAIL NOTES
 1. ALL CONCRETE AND REBAR INSTALLATION FOR SINGLE & MULTIPLE PIPING ENCASEMENT SHALL BE PER STRUCTURAL DRAWINGS.

3 TYPICAL POOL PIPES BELOW POOL FLOORS
 M802 SCALE: NTS



DETAIL NOTES
 1. OFFSET TO U/S OF SLAB AFTER CROSSOVER.
 2. ALL CONCRETE AND REBAR INSTALLATION FOR SINGLE & MULTIPLE PIPING ENCASEMENT SHALL BE PER STRUCTURAL DRAWINGS.

2 TYPICAL POOL PIPE CROSSOVER BELOW POOL FLOORS
 M802 SCALE: NTS

PERMIT TO PRACTICE
AME CONSULTING GROUP LTD
 RM SIGNATURE: _____
 RM APEGA ID #: 227412
 DATE: 05/31/2024
PERMIT NUMBER: P009296
The Association of Professional Engineers and Geoscientists of Alberta (APEGA)

CONSULTANT:

SEAL:

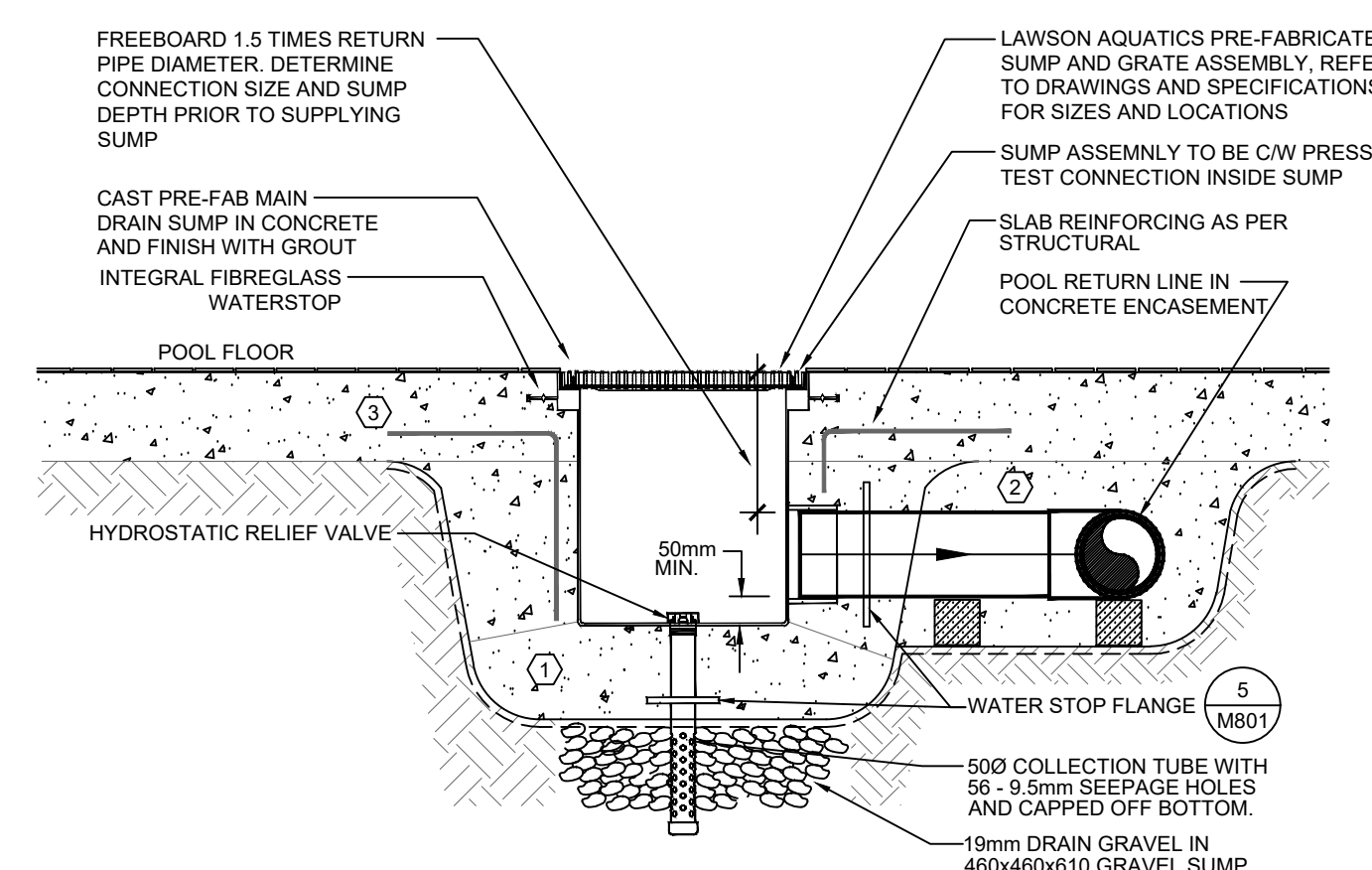
PROJECT TITLE:
TOWN OF PEACE RIVER - HOT TUB REPLACEMENT

PROJECT ADDRESS:
 9911 - 100 STREET
 P.O. BOX 6600
 PEACE RIVER, ALBERTA
 T8S 1S4

DRAWN BY: J. M. BARNARD
 CHECKED BY: C. TAYLOR
 SCALE: AS SHOWN
 DATE: MAY 31, 2024

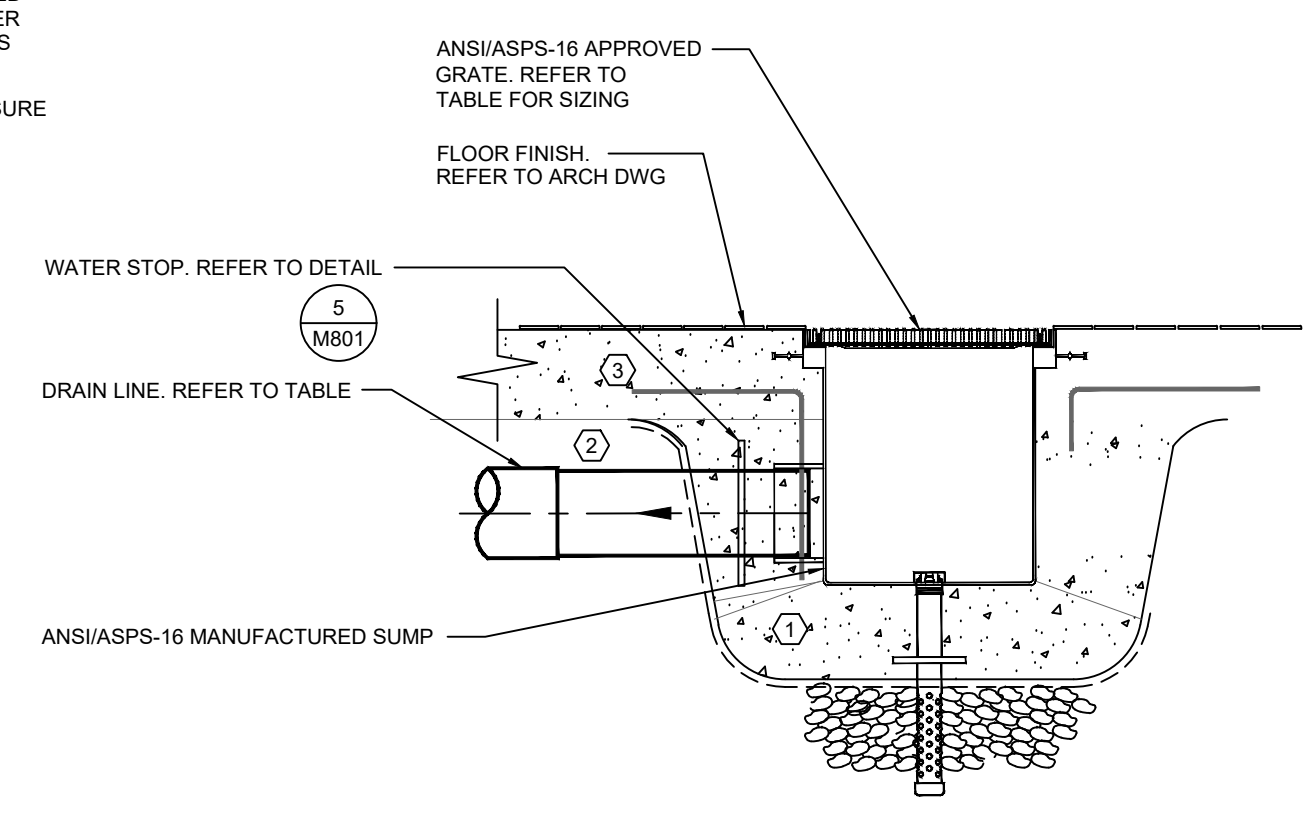
DRAWING TITLE:
MECHANICAL DETAILS II

PROJECT NO. 526e-001-23 DRAWING NO. **M802**



MINIMUM OPENING SIZE (INxIN)	MAIN DRAIN GRADE SIZE (IN)	MAXIMUM FLOW (USGPM)		SUMP SIZE (LxWxD) (IN)	DRAIN SIZE (IN)	MAKE/MODEL
		BC	ALBERTA			
19x37	18x36	220	190*	18x36x15	4	NEPTUNE BENSON --- GRATE
	18x36	500	420*	18x36x19	6	NEPTUNE BENSON --- GRATE
	18x36	900	730*	18x36x24	8	NEPTUNE BENSON --- GRATE
	18x36	1400	1300*	18x36x28	10	NEPTUNE BENSON --- GRATE
	18x36	1630	1630	18x36x33	12	NEPTUNE BENSON --- GRATE

*. BASED ON MINIMUM FLOW THROUGH RETURN SUCTION PIPE FOR RETROFIT INSTALLATIONS, REMOVE SUMP TAB AT TOP OF SUMP



1 MAIN DRAIN DETAIL
 M802 SCALE: NTS

DETAIL KEYNOTES
 ① SUPPORT PRE-FAB SUMP AND POUR CONCRETE BASE UP TO UNDERSIDE OF POOL FLOOR. LEAVE RE-BAR PROTRUDING TO TIE TO POOL FLOOR POUR.
 ② POUR POOL WATER RETURN PIPE CONCRETE ENCASEMENT POUR SEPARATE. LEAVE RE-BAR PROTRUDING TO TIE TO POOL FLOOR POUR.
 ③ POUR POOL FLOOR.

DETAIL GENERAL NOTES
 1. ORDER FIBREGLASS SUMP C/W INTERNAL CAP FOR PRESSURE TESTING. CAP TO BE REMOVED AFTER COMPLETION OF CONCRETE/TILE WORK.