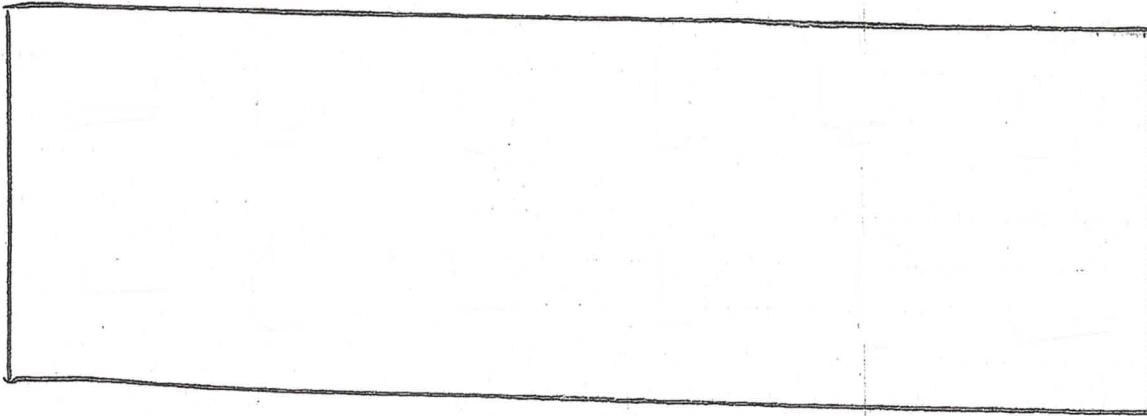
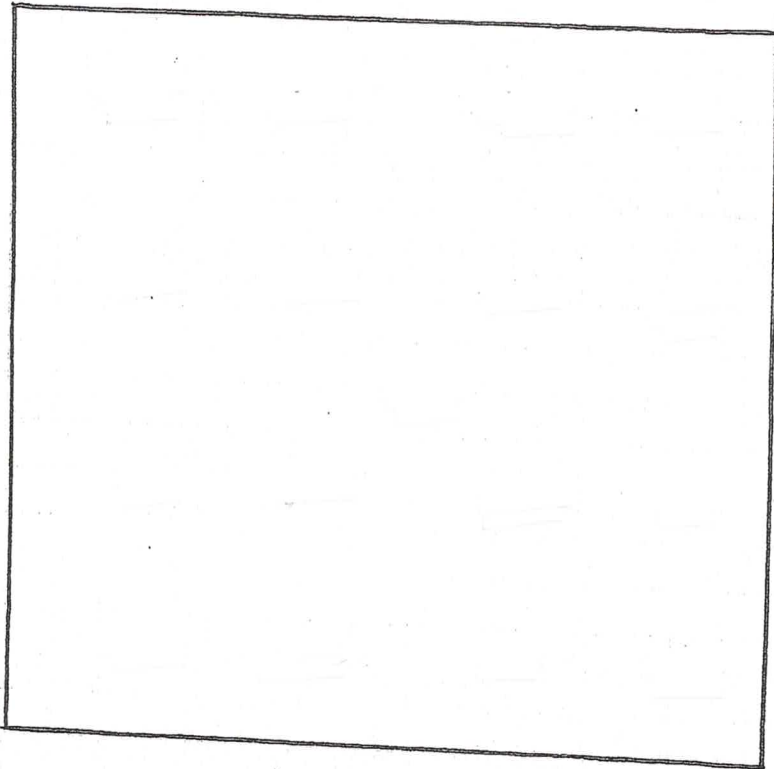


MAIN STREET

6'x2' 4'x4'



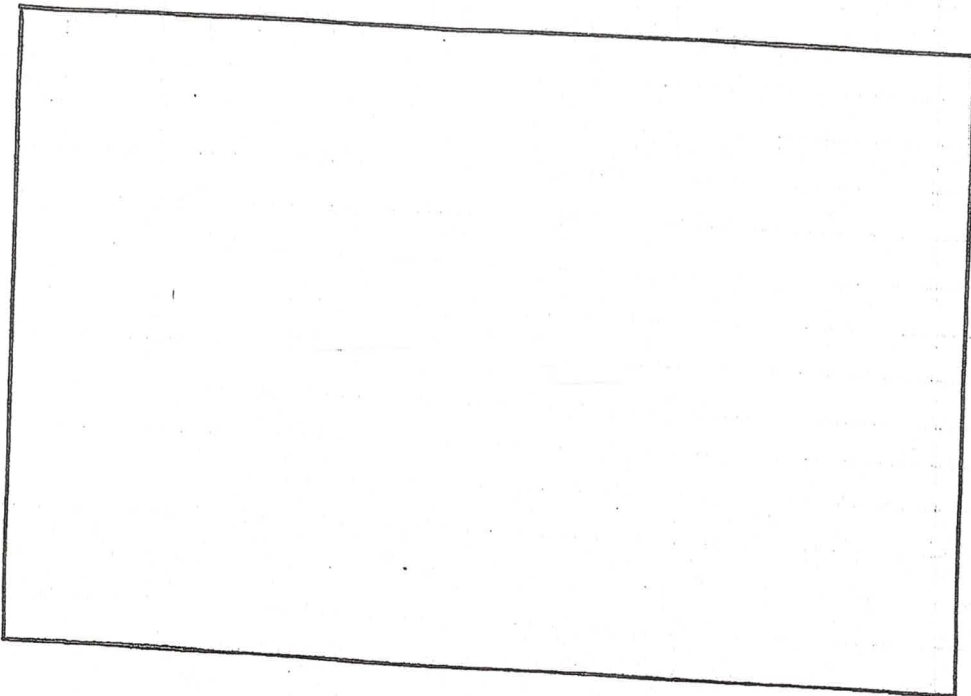
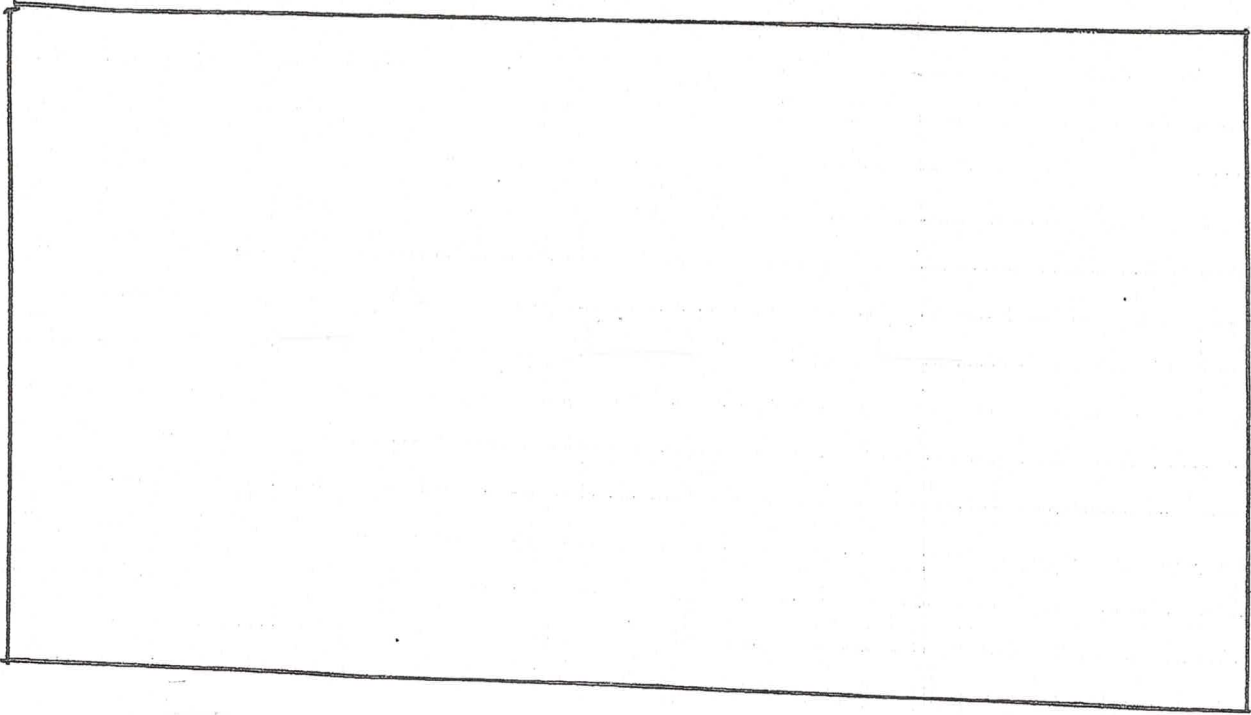
22 units



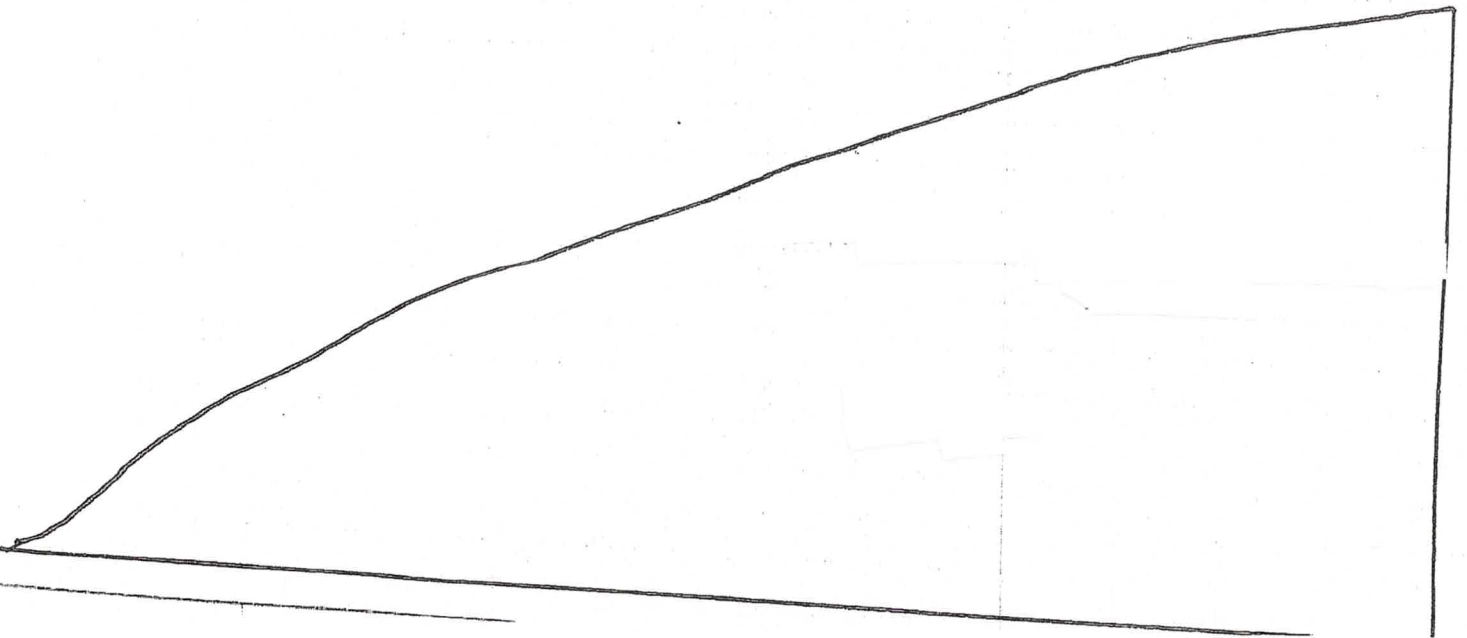
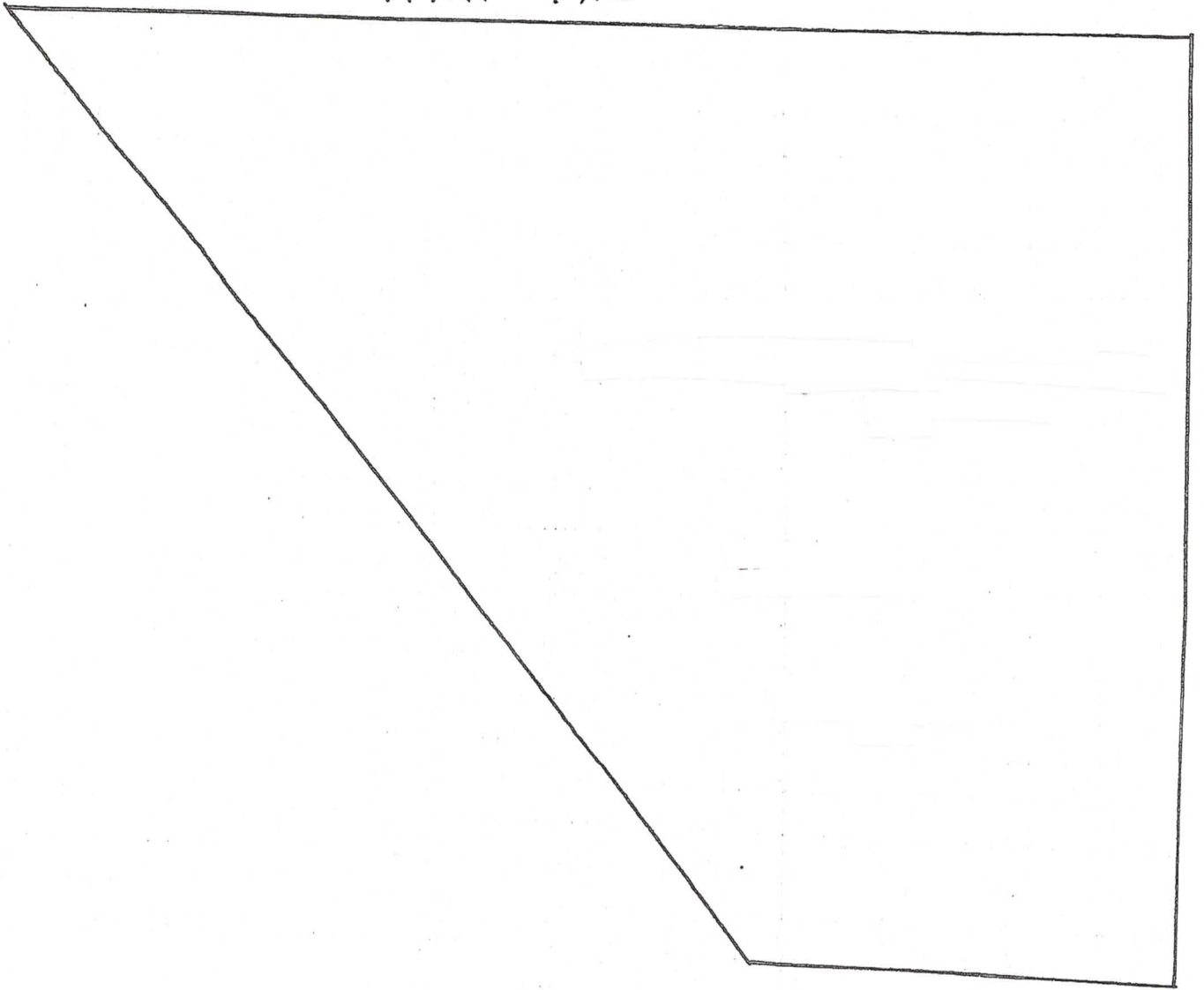
11 units

RIVERFRONT PARK (RIGHT)

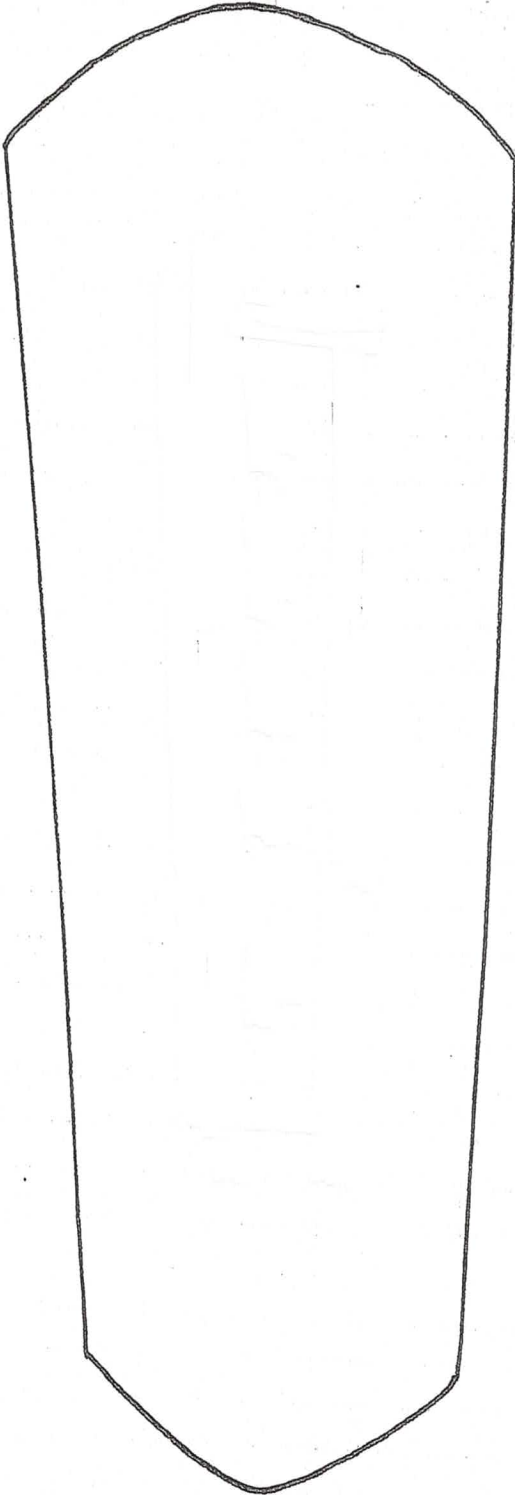
13' x 7' 10' x 7'



RIVERFRONT PARK (LEFT)
14' x 11' 7' x 15'

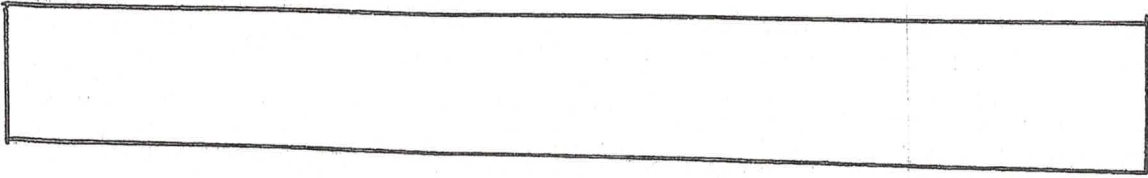


LOWER WEST PEACE
32' x 11'



MUSEUM

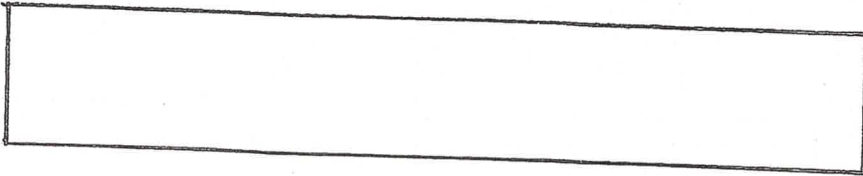
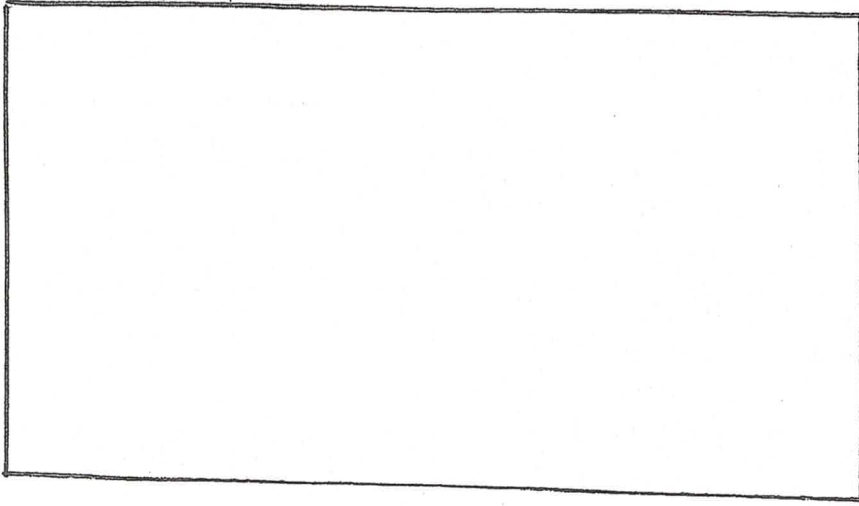
48' x 3'



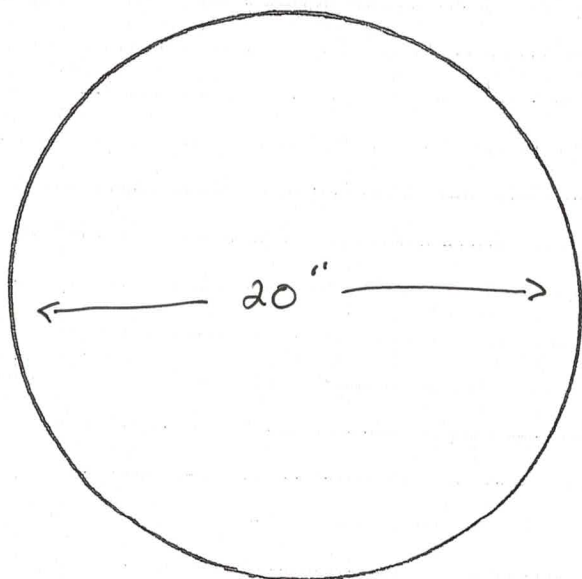
SOUTH END

9'x5'

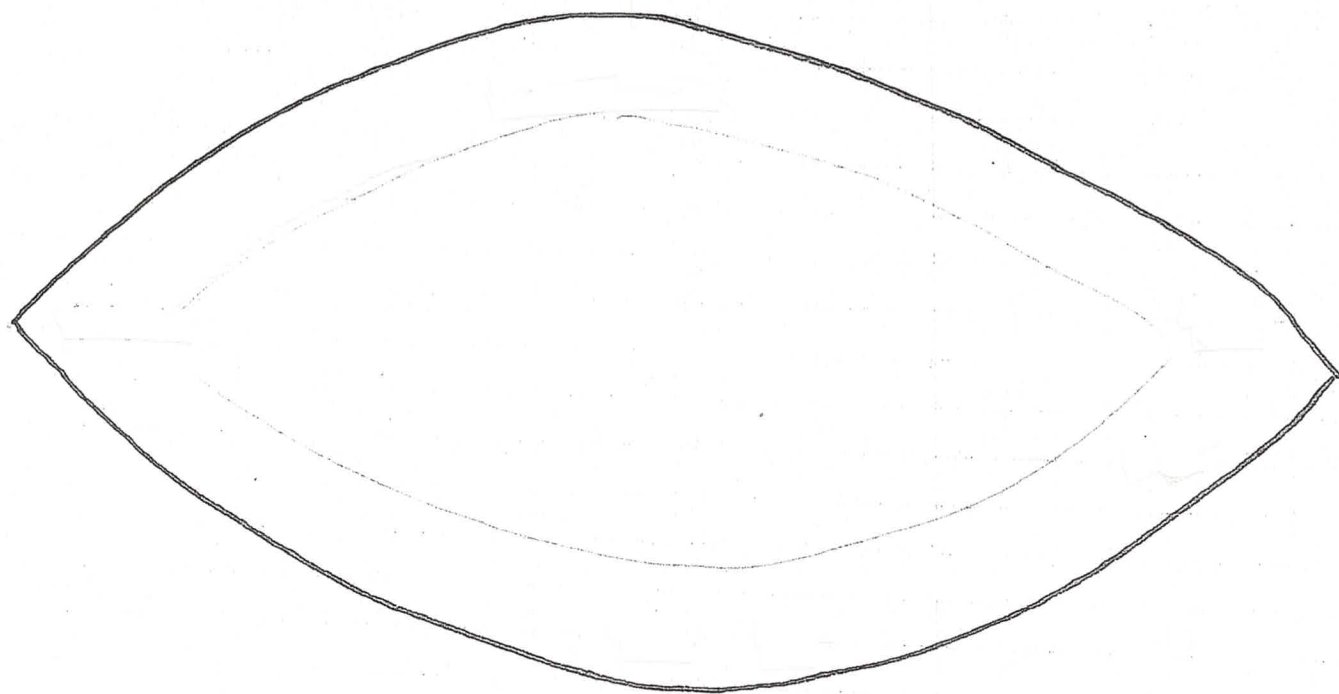
9'x1.5'



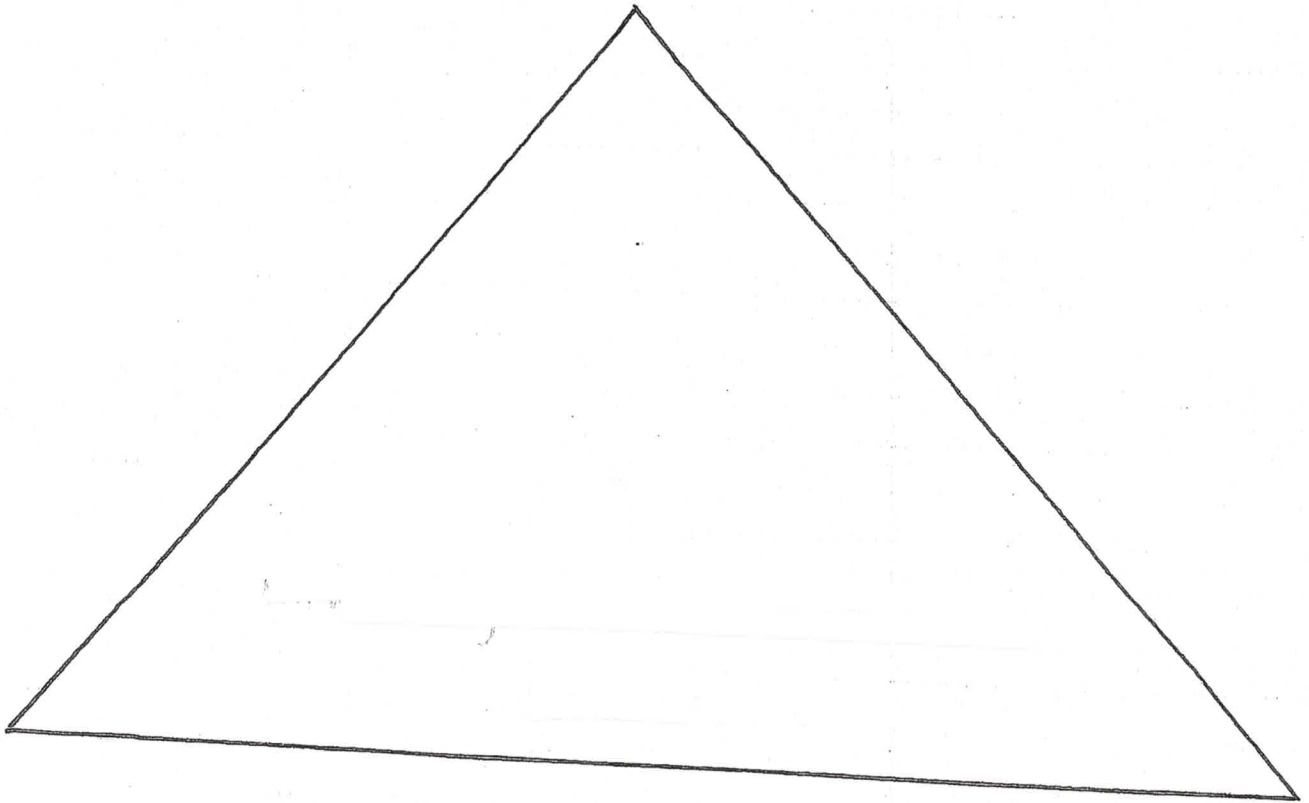
Brick Planters (14)



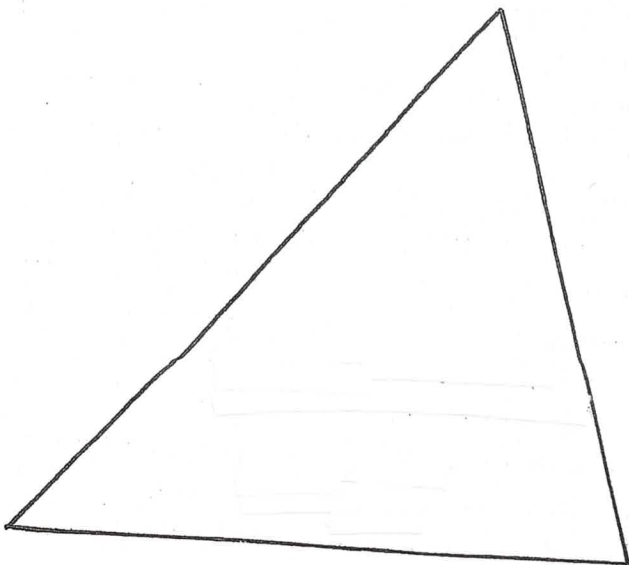
LOG CABIN
14' x 7'



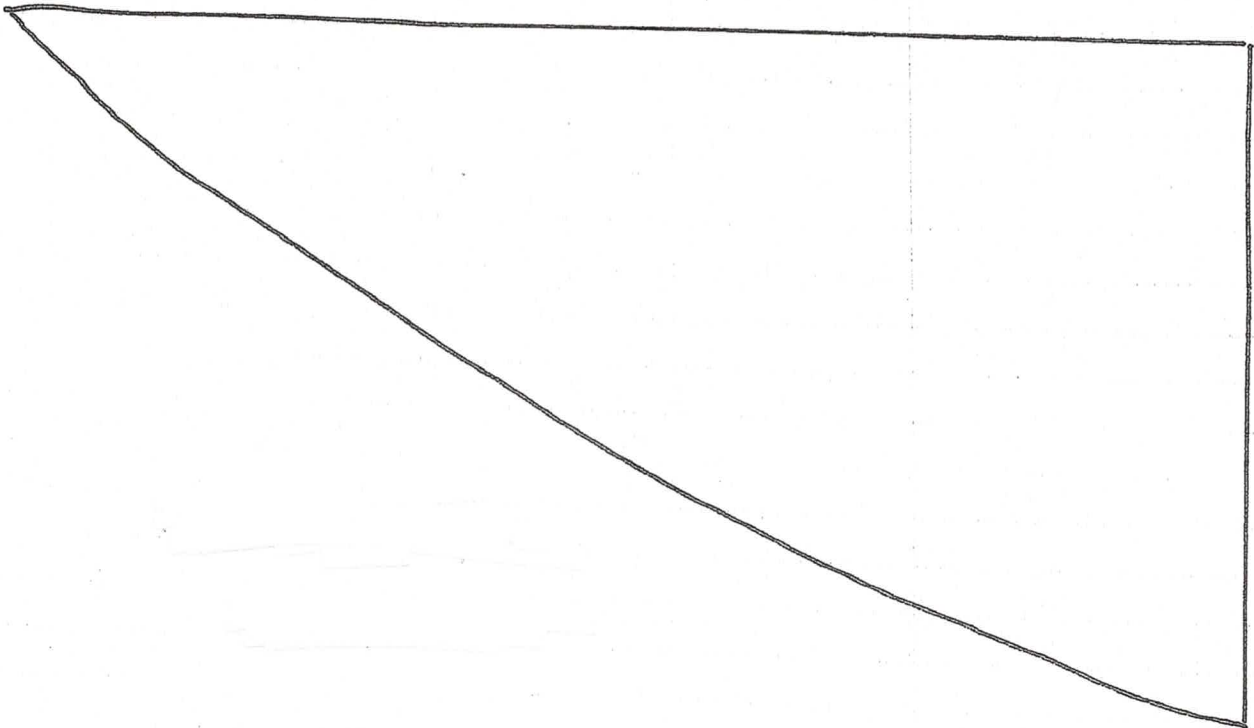
WEST PEACE (SOUTH BED)
27' x 16'



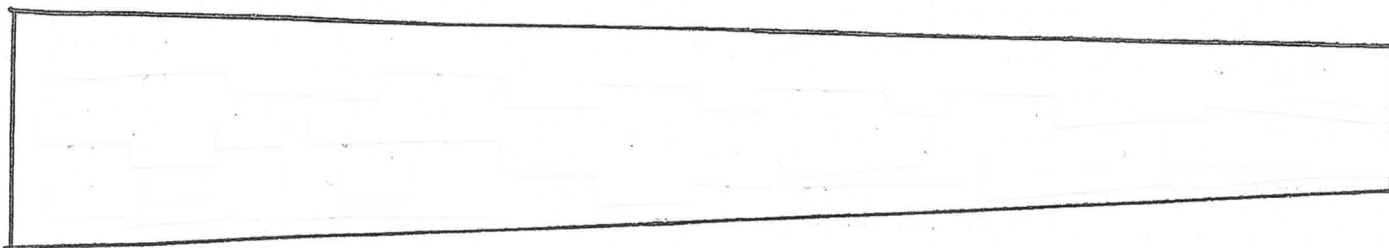
(NORTH BED)
15' x 13'



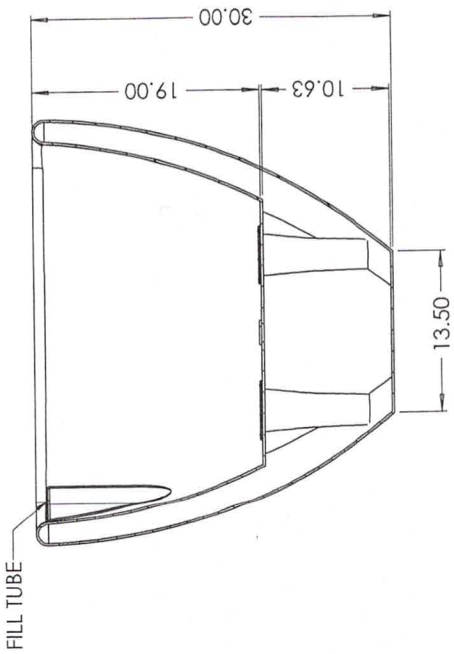
PUBLIC LIBRARY
13' x 7'



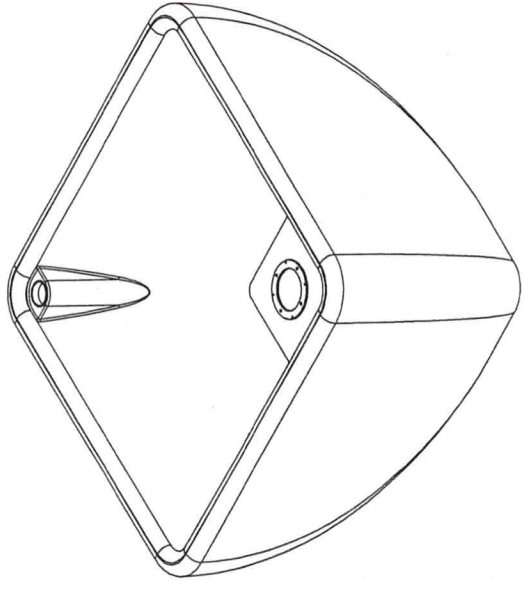
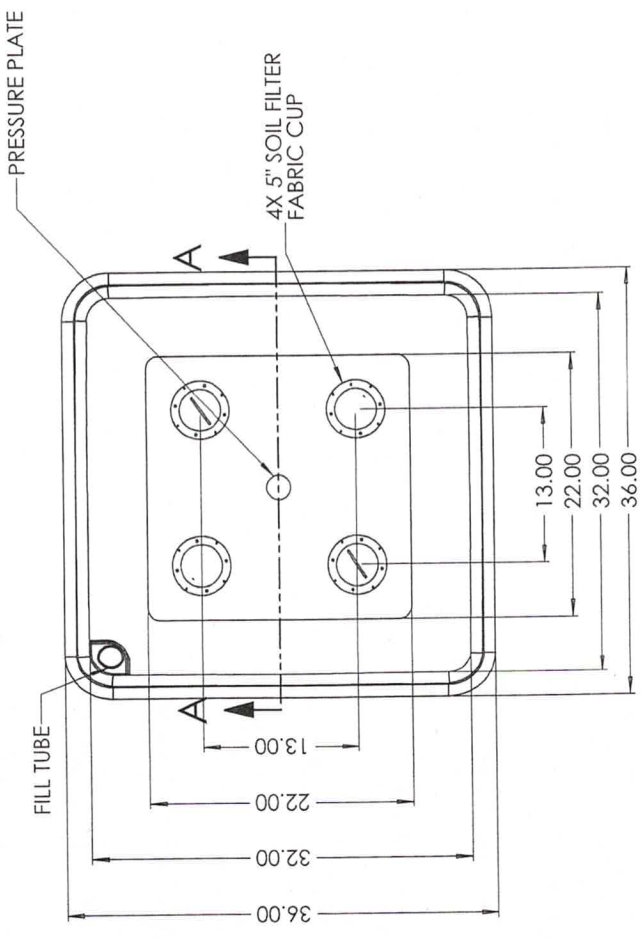
TOWN OFFICE
14.5' x 2.5'



SOIL CAPACITY WATER CAPACITY
 0.300 YDS³ 28.75 US GAL.



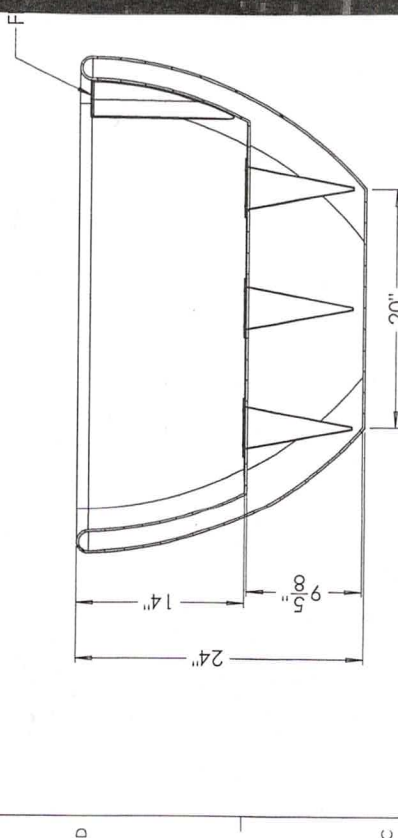
SECTION A-A
 SCALE 1 : 10



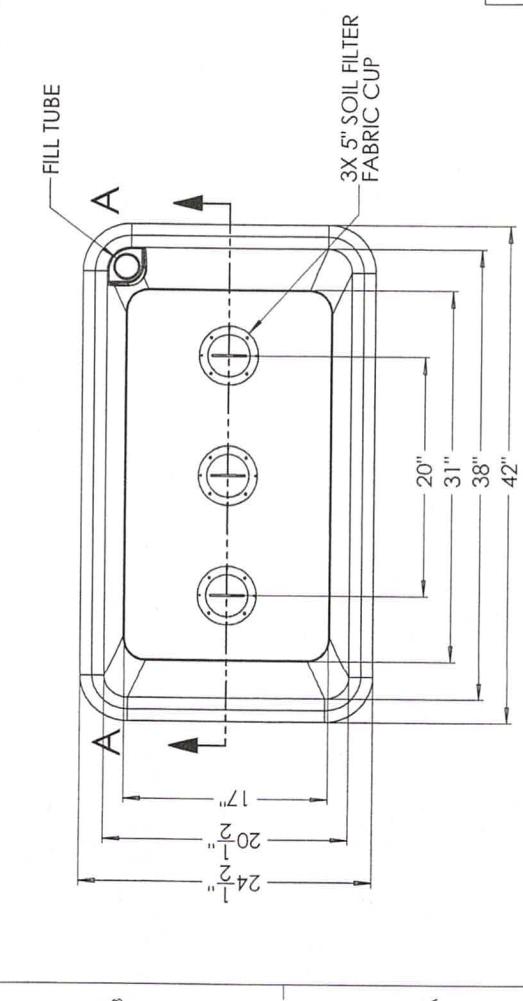
UNLESS OTHERWISE SPECIFIED:		NAME	DATE	EQUINOX INDUSTRIES LTD	
DIMENSIONS ARE IN INCHES		MAC	01/21/21		
FRACTIONAL: 1/32				TITLE:	
ANGULAR: MACH: BEND :				SKYLINE 36	REV
TWO PLACE DECIMAL :				FINISHED	0
THREE PLACE DECIMAL :					
INTERPRET GEOMETRIC TOLERANCING PER:				SIZE	DWG. NO.
MATERIAL	POLYETHYLENE			B	EQ-413
FINISH	MATTE			SCALE:	1:24 WEIGHT:
PROPRIETARY AND CONFIDENTIAL		COMMENTS:		SHEET 1 OF 1	
THE INFORMATION CONTAINED IN THIS DRAWING IS THE SOLE PROPERTY OF EQUINOX INDUSTRIES LTD. ANY REPRODUCTION OR TRANSMISSION OF THIS DRAWING WITHOUT THE WRITTEN PERMISSION OF EQUINOX INDUSTRIES LTD IS PROHIBITED.					



Skyline



SECTION A-A
SCALE 1 : 10



FILL TUBE

3X 5" SOIL FILTER FABRIC CUP

UNLESS OTHERWISE SPECIFIED:		NAME	DATE
DIMENSIONS ARE IN INCHES	DRAWN	MAC	10/12/21
FRACTIONS: 0/32	CHECKED		
ANGULAR TOLERANCE: BEND ±	ENG APPR		
TWO PLACE DECIMAL	MEG APPR		
THREE PLACE DECIMAL	O/A		
INTERPRET GEOMETRIC TOLERANCING PER	COMMENTS:		
MATERIAL			
FINISH			

EQUINOX INDUSTRIES LTD
TITLE: SKYLINE 42 FINISHED
SIZE DWG. NO. EQ-414
REV 0

PROPRIETARY AND CONFIDENTIAL
THE INFORMATION CONTAINED IN THIS DRAWING IS THE SOLE PROPERTY OF EQUINOX INDUSTRIES LTD. ANY REPRODUCTION OR TRANSMISSION OF THIS DRAWING WITHOUT THE WRITTEN PERMISSION OF EQUINOX INDUSTRIES LTD IS PROHIBITED.

SCALE: 1:24/WEIGHT: SHEET 1 OF 1